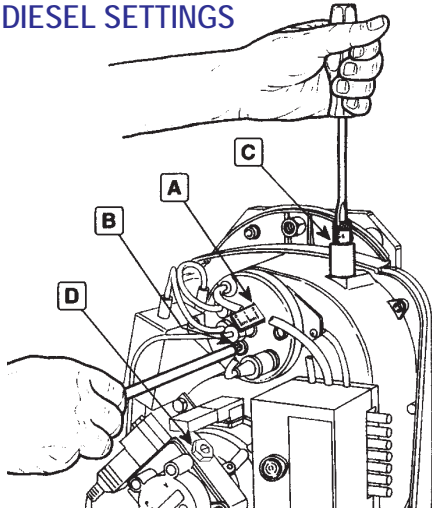


QUICKSTART

DIESEL SETTINGS



Burner tuning

- The burner needs to have the total air and length of flame adjusted to suit the boiler they are mounted in. Double check the settings and test the unit to make sure it is burning cleanly.

Length of flame

- Adjust the head adjustment A by regulating the hex bolt B

GN0.02: 9

GN0.03: 11

GN0.04: 15

Total air

- Adjust the Air adjustment by turning the damper adjuster C

GN0.02: 11

GN0.03: 13

GN0.04: 17

See the BU56 tuning guide for more detailed instructions

FLUE CONNECTIONS



The following requirements must be met by the flue system:

- A double skin flue set with 25mm clearance between internal and external skins.
- Internal skin must be of stainless steel construction.
- 25mm clearance from combustibles is required
- A clean out tee at the boiler is recommended to facilitate servicing requirements.
- Recommended stack sizing is given in table 1.
- All relevant local body regulations must be complied with.
- With the silencer flue set the silencer length is fitted the cleanout tee at the bottom of the flue assembly

	Output (kW)					
	23.3	34.9	46.5	69.8	93	
Flue height (m)	1.2	130	160	190	230	270
	2.4	110	140	160	190	220
	3.6	100	120	140	180	200
	4.8	90	120	130	160	190
	6.0	90	110	130	150	180
	7.2	90	100	120	150	170
	8.4	80	100	120	140	160
	9.6	80	100	110	140	160
	10.8	80	90	110	130	150
	12.0	70	90	110	130	150

Table 1. Recommended flue diameters

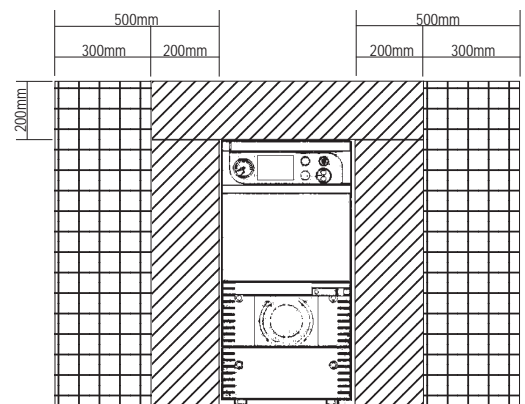
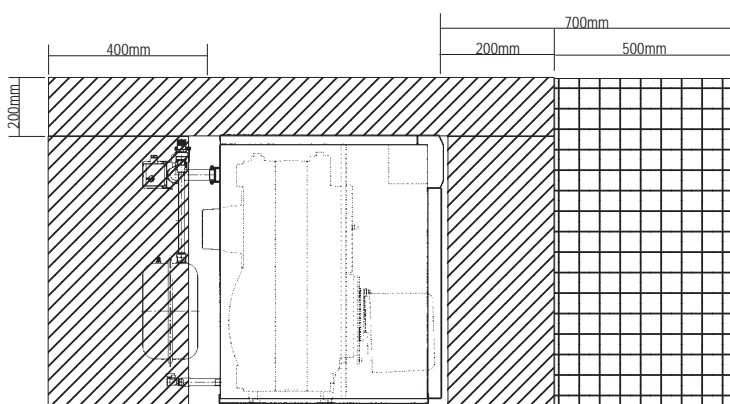
INSTALLATION CLEARANCES



Required from combustibles



Recommended for convenient servicing

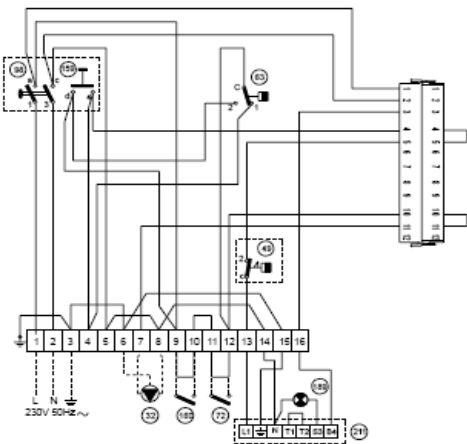


APPLIANCE MUST HAVE ADEQUATE VENTILATION

GN SERIES

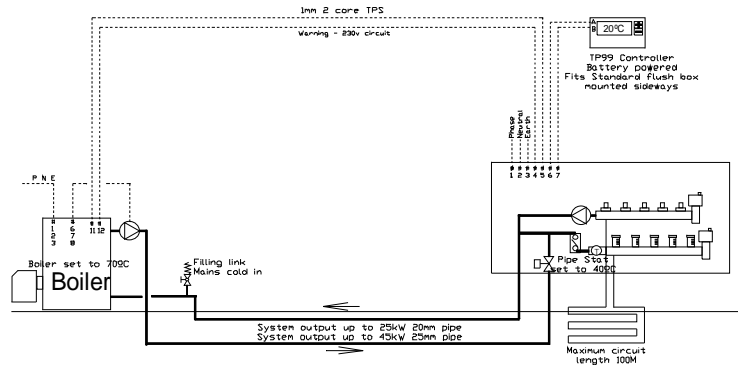
QUICKSTART

ELECTRICAL CONNECTIONS

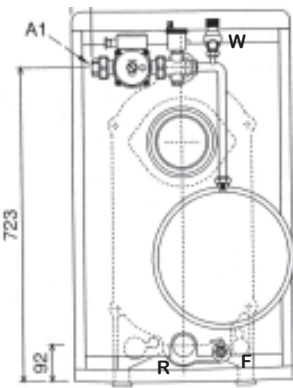


Electrical connections

- The boiler is supplied with a three poled power cable, already connected to the electronic board and it is provided with an anti-rupture firming clamp. This boiler must be connected to a 230V-50Hz electrical power supply. When connecting the boiler to power mains, respect phase / neutral polarity sequence.
- The boiler can be connected to a room thermostat. The room thermostat wiring must be connected to terminals 11&12, after removing the jumper supplied as a standard fitting to the boiler.
- Use the prewired lead connected to terminals 6, 7 & 8 to drive the primary circulating pump. These connections allow the pump overrun feature to work correctly.



WATER CONNECTIONS



Central heating connections

- R: Central heating return
 - A1: Central heating flow
 - F: Mains or regulated pressure filling point
 - W: 1/2" female over pressure waste
- Cold fill to 1.5bar
Use removable link style filling to prevent the need for a RPZ backflow

By-pass valve

- If the boiler is feeding a system which has the ability to reduce flow through the boiler to zero then a by-pass valve must be fitted to prevent damaging the boiler due to excessive temperatures

Pump jam

- It is a common requirement for the pump to be manually spun before it will start.
- Remove the expansion vessel.
- Remove the center screw from the pump body and manually turn the pump shaft using a flat head screw driver.

DIESEL CONNECTIONS



Burner installation quick kit

- Mount the fire valve outside the plant room and run the capillary along the diesel line.
- Press the fire valve outside the plant room and run the capillary along the diesel line.
- Mount the capillary head inside the boiler case next to the burner
- Assemble the stop, filter and running tee as shown.
- Fit the assembly next to the burner and connect the flexible leads to the gear pump.

GN SERIES