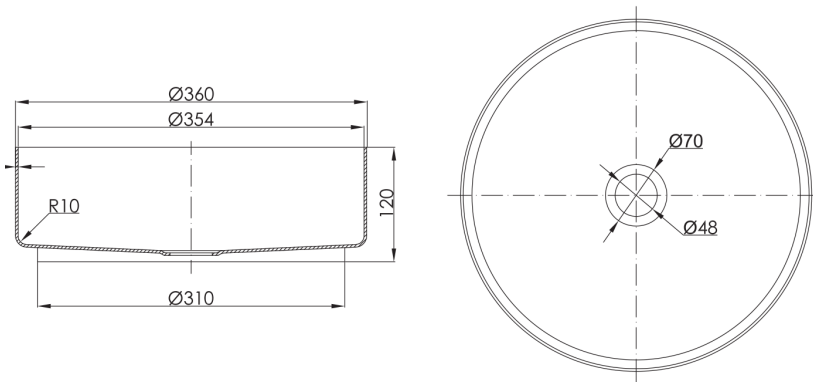


Verotti Stainless Steel Basin
Brushed Stainless

WD1500BS

Verotti stainless steel brushed stainless basin
 Ø360mm x 120mm high
 Made from stainless steel with a seamless pressed finish



CARE AND USE

STAINLESS STEEL FINISH

Use mild detergent and soft cloth for daily cleaning. If you destroy the stainless steel surface with chemicals, the basin will start to corrode and rust. Limestone and minerals in the water have a similar effect, so to avoid corrosion, rinse the basin with water and dry it with a soft towel after every use. For complete cleaning information, view the product online.

LIMITED PRODUCT WARRANTIES

To be read in conjunction with and subject to all terms and conditions contained in the Waterware 'Producer Statement' available on-line (<http://www.waterware.co.nz/media-downloads>)

From date of purchase, Waterware Services warrants products from the following categories to be free from manufacturing defect subject to exclusions (if applicable):

Category	Domestic Installations	Commercial Installations	Exclusions
Basins	5 years parts and labour	2 years parts and labour 3-5 years parts only	None