

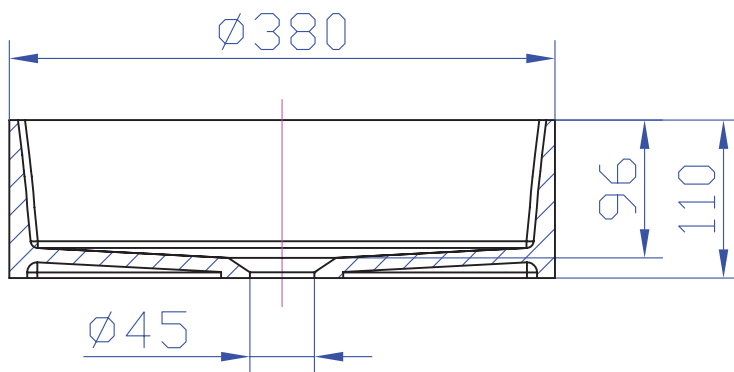
**iSTONE** Round Basin  
Black Marble

**WD38334BMB**

iStone black marble round basin

Ø380mm x 110mm high

Made from marble which is dimensionally accurate and durable.



**CARE AND USE**

**BLACK MARBLE FINISH**

The black marble should be regularly wiped clean with non scouring, neutral wash solutions or a mild abrasive as required. For severe scratching use wet and dry sand papers beginning with 1000 grit or 800 grit if required. Rub only very lightly with plenty of water to avoid scratching.

**LIMITED PRODUCT WARRANTIES**

To be read in conjunction with and subject to all terms and conditions contained in the Waterware 'Producer Statement' available on-line (<http://www.waterware.co.nz/media-downloads>)

From date of purchase, Waterware Services warrants products from the following categories to be free from manufacturing defect subject to exclusions (if applicable):

Category	Domestic Installations	Commercial Installations	Exclusions
Basins	5 years parts and labour	2 years parts and labour 3-5 years parts only	None