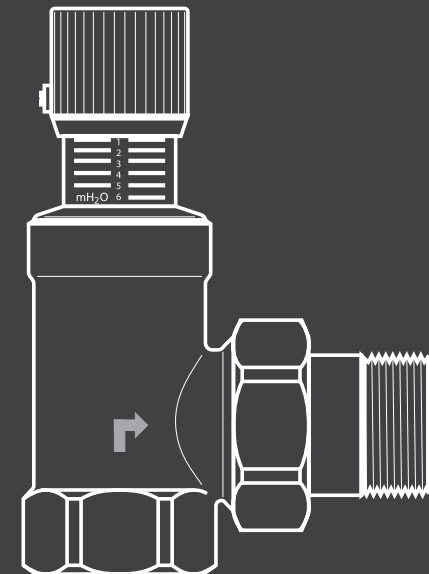


WATERWARE

Differential By-Pass Valve



Available in 3/4" and 1&1/4"
Technical Installation Manual

PH 09 273 9191 | info@waterware.co.nz
PO Box 58 776 Botany, Manukau
waterware.co.nz

WARRANTY

If any material defect arising from the manufacturing process is found in a new tap or valve Waterware Services Ltd. will undertake to repair or replace it (at its option). This undertaking will not apply if:

1. The defect is brought to Waterware's attention later than 5 years from the date of manufacture.
2. Failure by any person to follow installation instructions or installation in an environment outside the recommended limitations or relevant NZ and or Australian Standards and local plumbing codes. No installation should proceed without installation instructions and claims instructions were missing are not accepted as a means of avoiding this condition.
3. Evidence cannot be produced which confirms that the relevant tap or valve was purchased from a known customer of Waterware Services Ltd.
4. Repair work is undertaken without prior arrangement with Waterware Services Ltd.
5. Normal maintenance requirements, refer to specific product maintenance guides.

Waterware Services Ltd. shall in no way be liable for any loss, damage (direct, indirect or consequential), cost or expense suffered or incurred by the purchaser. Obligations accepted by Waterware Products Ltd. are.....

..... in addition to all other rights and remedies had by the Purchaser in law in respect of the valve and does not limit the right the Consumer may have under the Consumers Guarantee Act 1993.

..... subject to the exceptions and conditions previously listed. All expressed or implied conditions, statements or warranties as to the quality or fitness on any purpose of a tap or valve or otherwise are hereby expressly excluded to the fullest extent permitted by law except under conditions and warrants which cannot be legally excluded by law and which are intended in the contract for the supply of the valve by the Trade Practises and any other Act of Law.

WATERWARE

PH 09 273 9191 | info@waterware.co.nz
PO Box 58 776 Botany, Manukau
waterware.co.nz

Differential By-Pass Valve

Application

The differential by-pass valve is used very effectively in systems where various heating loads may be simultaneously excluded from the circuit because of the closing of control or zone valves.

It ensures a recirculation proportional to the number of valves which close, avoiding noises and maintaining the head of the pump at a constant value.

Construction

The unit is made of brass with seals made of Ethylene-Propylene, the spring of stainless steel and the handle or reinforced plastic material.

Installation

The by-pass valve should be installed after the pump between the supply and return piping. It can be installed either in the horizontal or vertical position provided it is in accordance with the direction of flow as indicated by the arrow on the valve body. On installations with an external gearcase it is fitted after the pump and before the sensor.

Setting

Turn the grip to the desired value of the graduated scale; the values correspond to the metres of head of the pump. Lock the setscrew located on the grip.

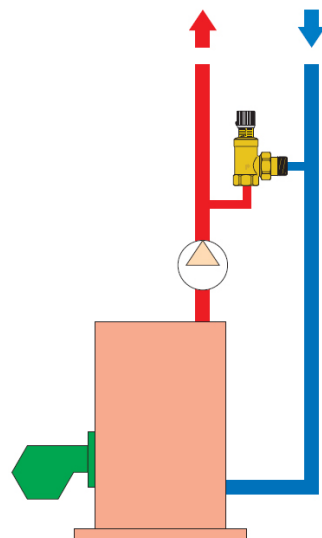
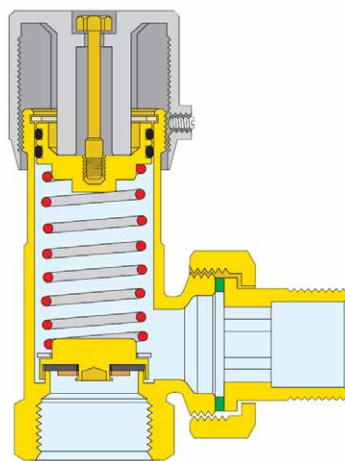
General Data

Calibration range - 1 to 6 m H₂O

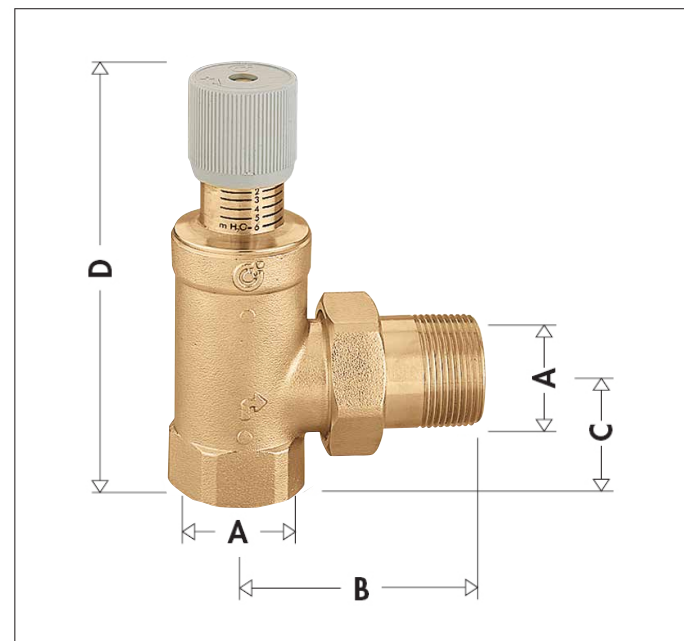
Maximum Pressure - 10bar

Maximum temperature - 110°C

Sizes - 3/4" and 1 1/4"



Dimensions



Code	A	B	C	D
519500	3/4"	59	26	104
519700	1 1/4"	88,5	41	158

Flow Rate Graphs

