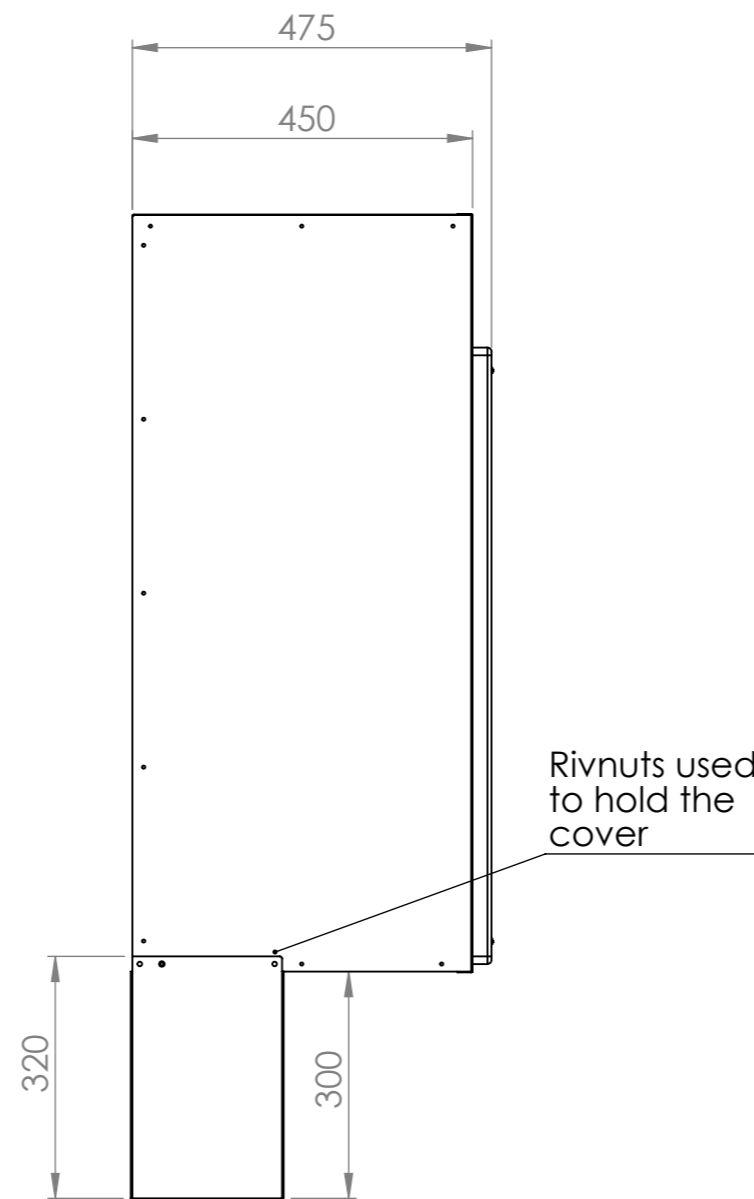
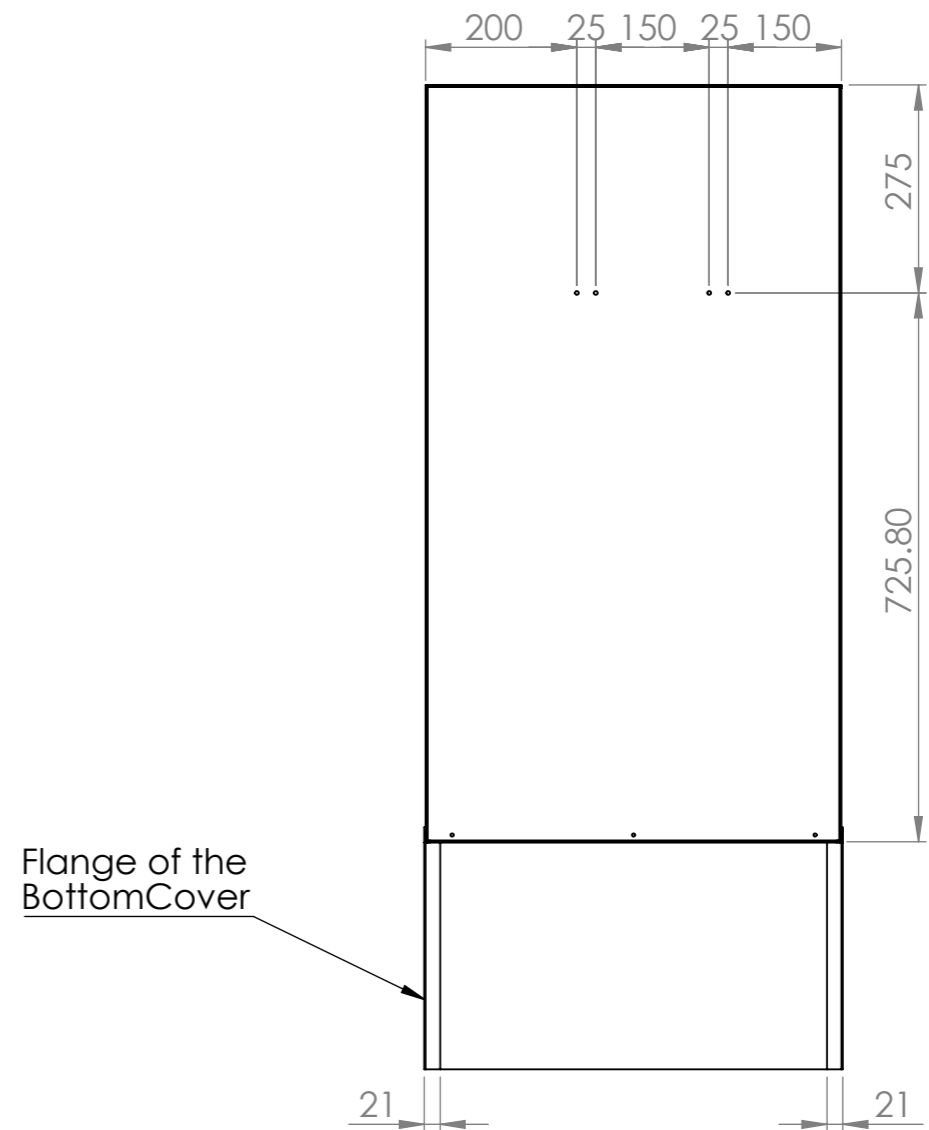



Front View

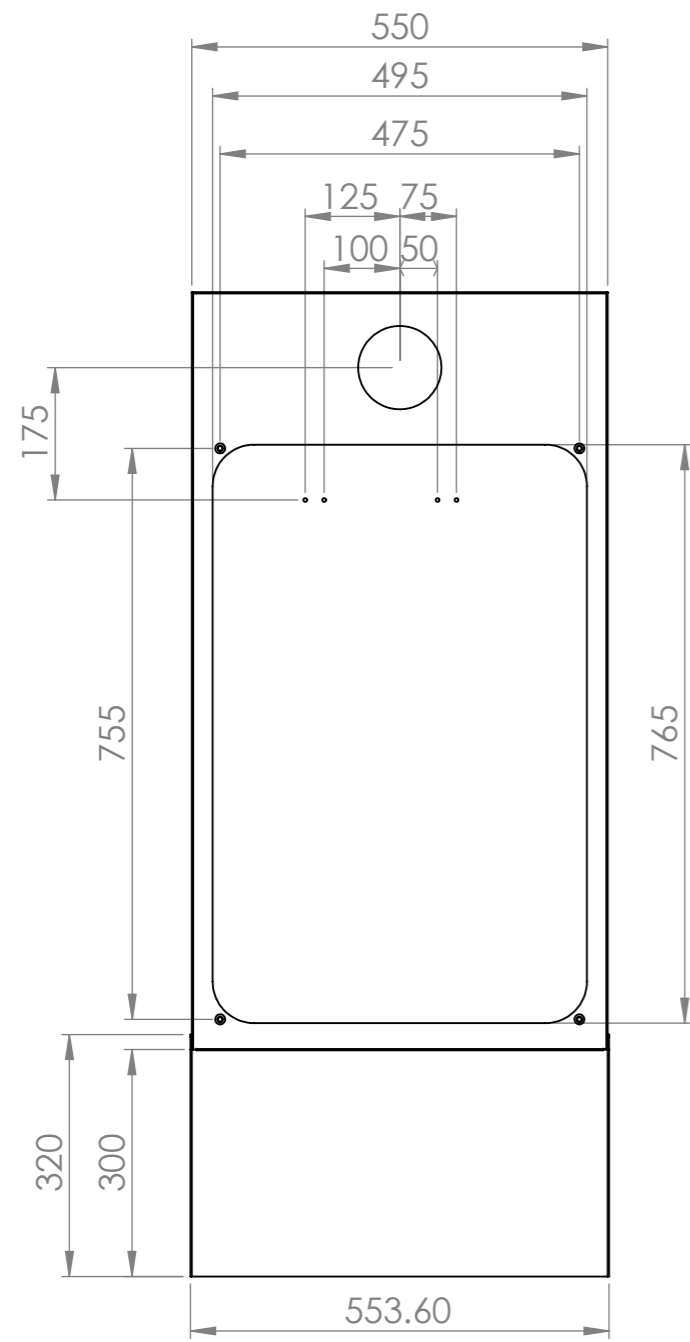


Side View

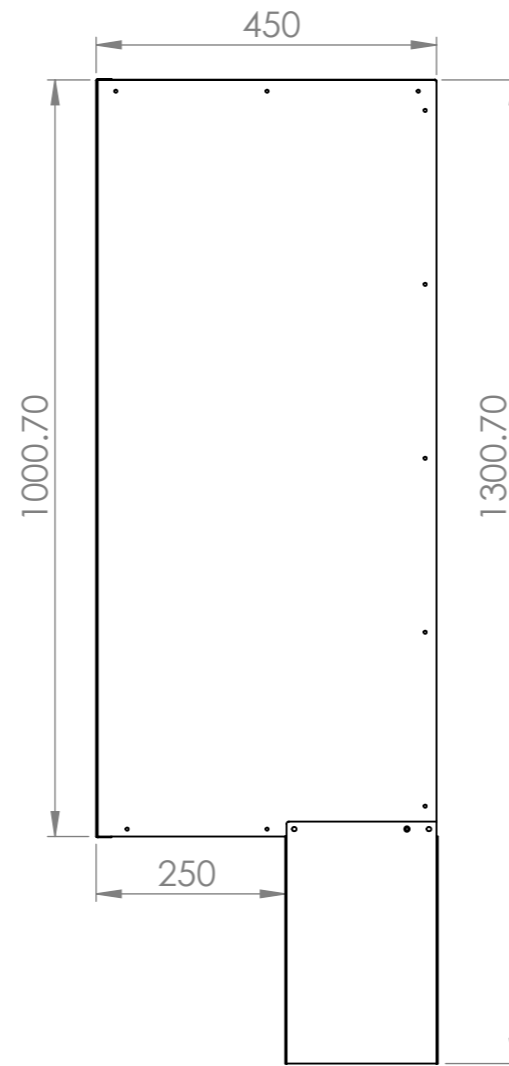


Back View

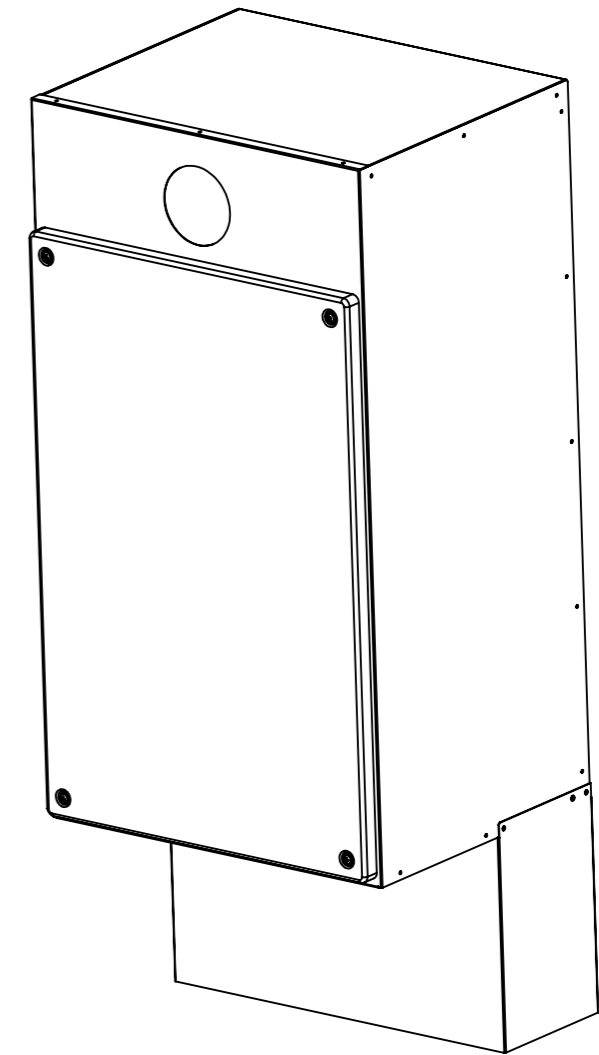
UNLESS OTHERWISE SPECIFIED: DIMENSIONS ARE IN MILLIMETERS SURFACE FINISH: TOLERANCES: LINEAR: ±0.25 ANGULAR: ±1.0°				FINISH: SatinWhite Powder Coat		DEBUR AND BREAK SHARP EDGES		80 Mclaughlins Rd, Wiri, Auckland 2104 Ph: 09 527 0072		PO Box : 9487 New Market Auckland, New Zealand Fax (09) 294 8218		 <small>HYDRA-TIC THAT'S ELECTRIC</small> <small>*GAFI *TEUBEL *SIGNET</small>	
DRAWN				NAME		SIGNATURE		DATE		TITLE:			
CHK'D				Farmaan Ali				20/09/18		Waterware Boiler Box			
APPV'D										DWG NO.			
MFG										Assemblybox			
Q.A										A3			
										REV 2			
DO NOT SCALE DRAWING								WEIGHT:		SCALE:1:10		SHEET 1 OF 3	



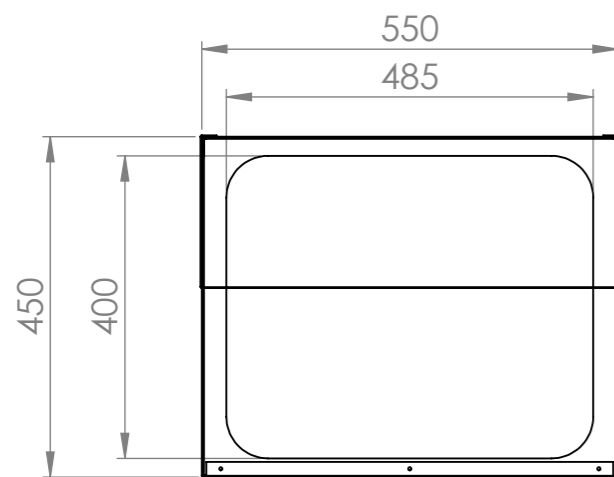
Front View




Side View

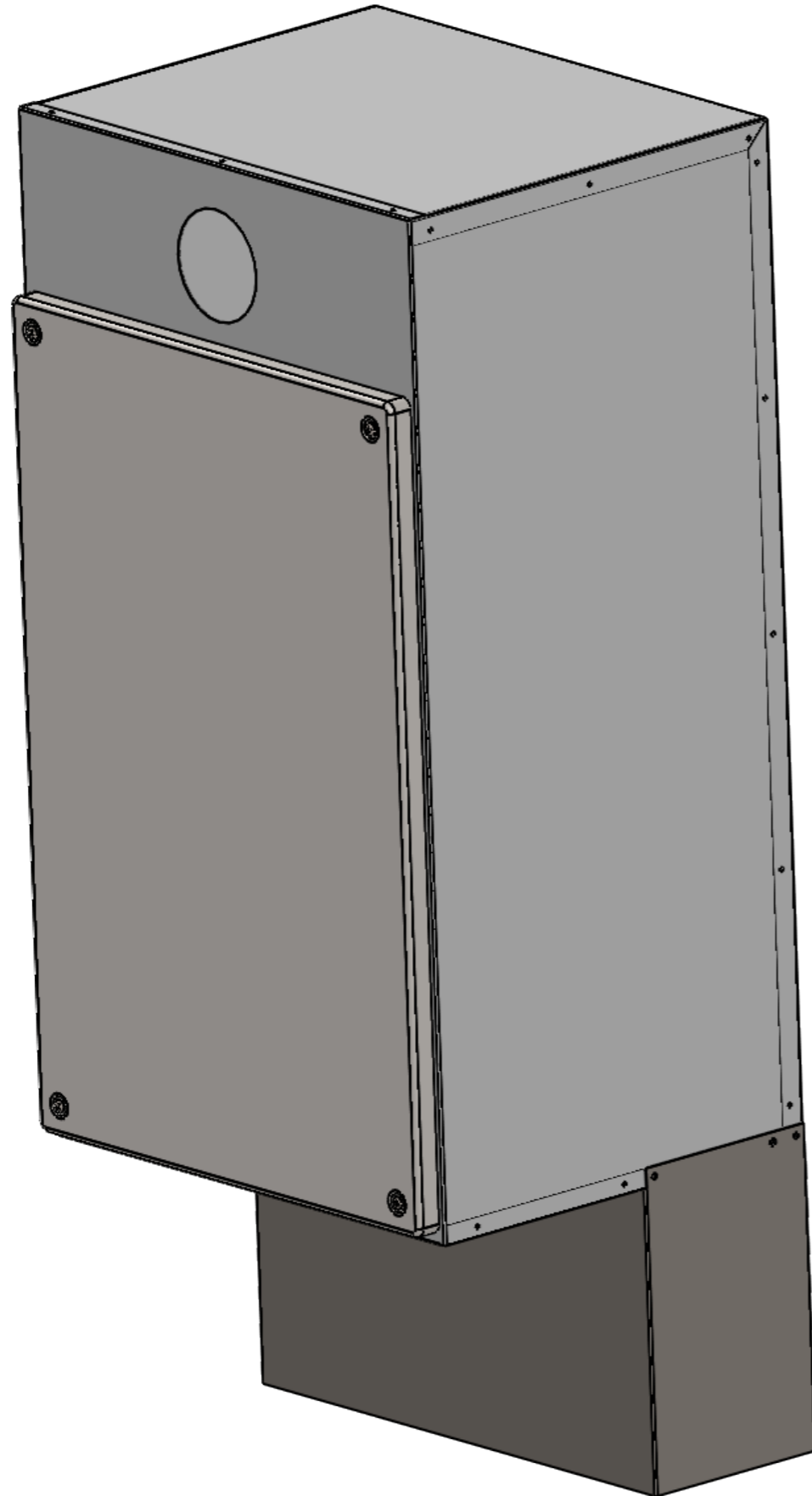


Isometric View



Bottom View

UNLESS OTHERWISE SPECIFIED: DIMENSIONS ARE IN MILLIMETERS SURFACE FINISH: TOLERANCES: LINEAR: ±0.25 ANGULAR: ±1.0°				FINISH: SatinWhite Powder Coat		DEBUR AND BREAK SHARP EDGES		80 Mclaughlins Rd, Wiri, Auckland 2104 Ph: 09 527 0072		PO Box : 9487 New Market Auckland, New Zealand Fax (09) 294 8218		 <small>HYDRA-TIC THAT'S ELECTRIC</small> <small>*GAFI *TEUBEL *SIGNET</small>	
DRAWN Farmaan Ali				SIGNATURE		DATE 20/09/18		TITLE: Waterware Boiler Box		DWG NO.		A3	
CHK'D				APPV'D		MFG		MATERIAL: 1mm ElectroGalv		Assemblybox		REV 1	
Q.A.				DO NOT SCALE DRAWING		WEIGHT:		SCALE:1:10		SHEET 2 OF 3			







**Drawing Proposal:**

External Diemensions are kept as specified.  
 Front Internal Slot is 495 x 765mm with a Fixed cover.

Special Punch is required to punch the 110mm Hole. This will require a once of set up fee.

Once all the details have been finalised we can Price up the product with the specified MOQ'S.

UNLESS OTHERWISE SPECIFIED: DIMENSIONS ARE IN MILLIMETERS SURFACE FINISH: TOLERANCES: LINEAR: ±0.25 ANGULAR: ±1.0°		FINISH:  SatinWhite Powder Coat		DEBUR AND BREAK SHARP EDGES		80 Mclaughlins Rd, Wiri,Auckland 2104 Ph: 09 527 0072		PO Box : 9487 New Market Auckland, New Zealand Fax (09) 294 8218		 <small>HYDRA-TIC. THAT'S ELECTRIC</small>   					
NAME		SIGNATURE		DATE		TITLE:		<h1>Waterware Boiler Box</h1>							
DRAWN		Farmaan Ali		20/09/18		DWG NO.						<h2>Assemblybox</h2>		A3	
CHK'D						REV								2	
APPV'D						MATERIAL:									
MFG						1mm ElectroGalv									
Q.A															
DO NOT SCALE DRAWING				WEIGHT:				SCALE:1:5		SHEET 3 OF 3					