



HIGH-STYLE RADIATOR VALVES FOR DESIGNER HEATING SYSTEM

CALEFFI
Hydronic Solutions



FUNCTION AND FEATURES

- High chrome or white finish, suitable for aesthetic requirements of designer heating systems
- Interchangeable headworks of valves and lockshields
- Possibility of transforming the valves from manual to thermostatic for automatic adjustment of the room temperature
- Available in angled or double angled versions and with central connection
- Equipped with pipe-covering/wall-covering shell with adjustable length
- Tailpiece with rubber seal

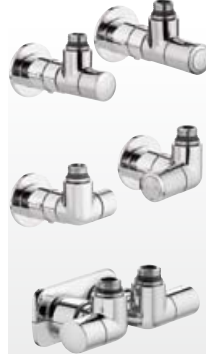
PRODUCT RANGE - HIGH-STYLE

WHITE FINISH



CODE	ANGLED CONNECTIONS
400101	1/2" x 23 p.1,5
CODE	DOUBLE ANGLED CONNECTIONS
400301	1/2" x 23 p.1,5 (RH)
400401	1/2" x 23 p.1,5 (LH)
CODE	CENTRAL CONNECTIONS
400311	1/2" x 23 p.1,5 (RH)
400411	1/2" x 23 p.1,5 (LH)

HIGH CHROME FINISH



CODE	ANGLED CONNECTIONS
400100	1/2" x 23 p.1,5
CODE	DOUBLE ANGLED CONNECTIONS
400300	1/2" x 23 p.1,5 (RH)
400400	1/2" x 23 p.1,5 (LH)
CODE	CENTRAL CONNECTIONS
400310	1/2" x 23 p.1,5 (RH)
400410	1/2" x 23 p.1,5 (LH)

CONTROL HEAD



CODE	DESCRIPTION
205005	Thermostatic control head for valves with white finish

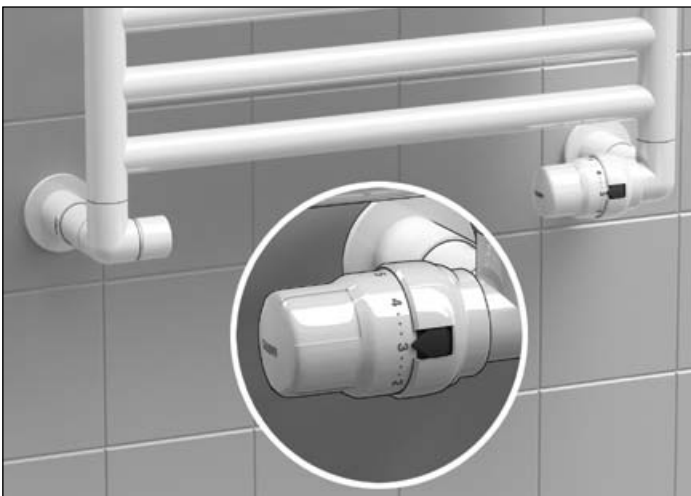


CODE	DESCRIPTION
200015	Thermostatic control head for valves with chrome finish

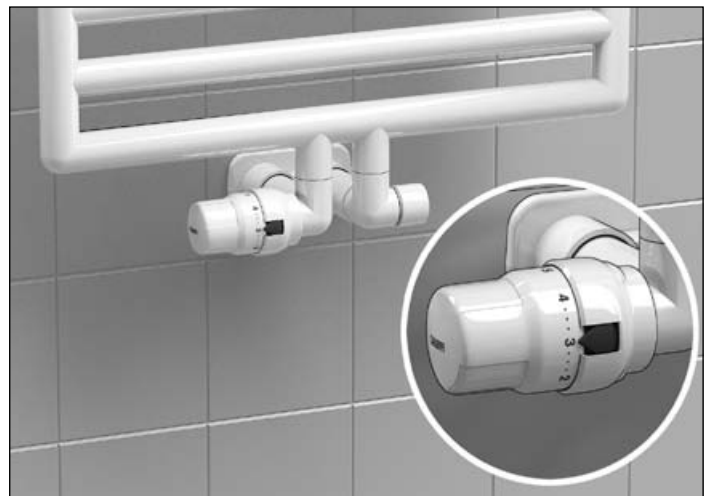
TECHNICAL SPECIFICATIONS

WORKING TEMPERATURE RANGE	5–100°C
Max. WORKING PRESSURE	10 bar
MEDIUM	Water, glycol solutions
MAX. GLYCOL	30%
MAX. DIFFERENTIAL PRESSURE WITH CONTROL FITTED	1 bar
ADJUSTMENT SCALE	*-5
SETTING TEMPERATURE RANGE	7–28°C

RIGHT-HAND VERSION INSTALLATION



CENTRAL CONNECTION VERSION INSTALLATION



REFERENCE DOCUMENTATION: BROCHURE 01140



CALEFFI
Hydronic Solutions

0350813GB