

fig.1
 Abb.1
 εικ.1
 rys.1
 рис.1

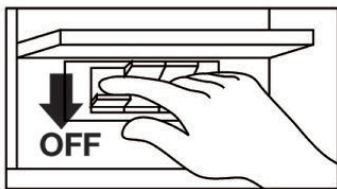


fig.2 - Abb.2 - εικ.2 - rys.2 - рис.2

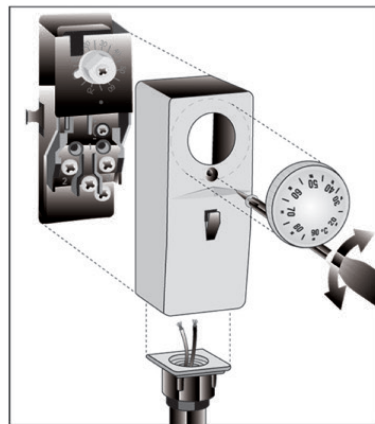


fig.3 - Abb.3 - εικ.3 - rys.3 - рис.3

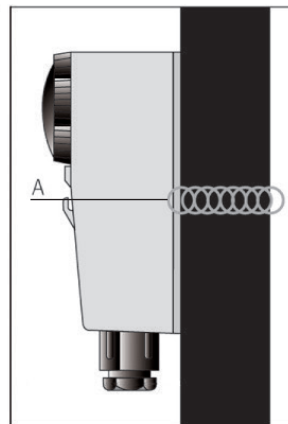
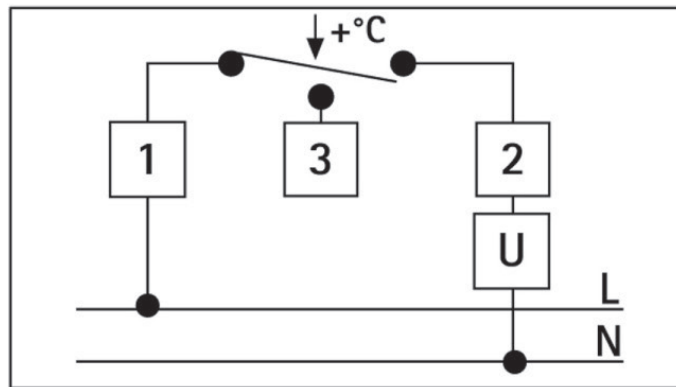
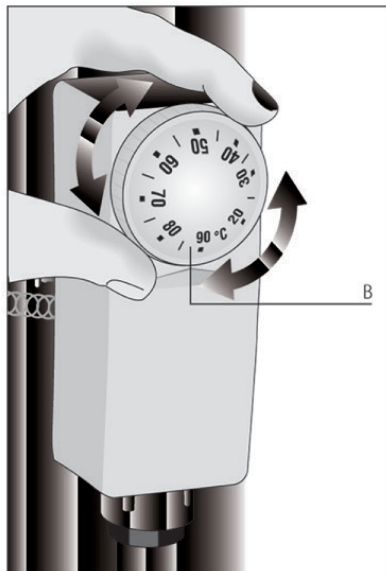


fig.4 - Abb.4 - εικ.4 - rys.4 - рис.4

fig.5 - Abb.5 - εικ.5 - rys.5 - рис.5

fig.6 - Abb.6 - εικ.6 - rys.6 - рис.6



INTRODUCTION



Thank you for your confidence in our Company and for choosing one of our products.
 This bimetallic contact THERMOSTAT is particularly suitable for temperature measurements on heating systems pipes.

CONFORMITY TO THE STANDARDS

This product complies with:
 - EN 60730-1 and subsequent revisions
 - EN 60730-2-9

CONFORMITY TO THE GUIDELINES

This product complies with:
 - B.T. 73/23/EEC
 - E.M.C. 89/336/EEC and later updating of 93/68/EEC

TECHNICAL DATA

These data refer to tests performed on $\varnothing 60$ mm pipes

TEMPERATURE RANGE = $20^{\circ} \pm 90^{\circ}C$
 TEMPERATURE DIFFERENTIAL = $8 \pm 3K$
 DEGREE OF PROTECTION = IP 30
 INSULATION CLASS = I
 TEMPERATURE RATE OF CHANGE = $< 1K/min.$
 MAXIMUM HEAD TEMPERATURE = $80^{\circ}C$
 STORAGE TEMPERATURE = $-15^{\circ} \pm 60^{\circ}C$
 OUTPUT = cutoff or switching contacts
 CONTACTS RATING = 1-2 = $16(2,5)A/250V\sim$; 1-3 = $2,5A/250V\sim$
 SWITCH ACTION = 1B
 POLLUTION DEGREE = 2
 FAIRLEAD TYPE = M20x1,5
 MOUNTING = on pipes
 FOR THE ELECTRIC CONNECTIONS USE CABLES: $T \leq 90^{\circ}C$ cable H05 V2V2-F
 $T > 90^{\circ}C$ cable N2GMH2G-J/0

IMPULSIVE VOLTAGE = 2,5 KV
 GROUNDING WAY = by screw
 MOUNTING WAY = by screw

INSTALLATION AND CONNECTIONS



SAFETY INSTRUCTIONS

Before connecting the thermostat, make sure that the power supply voltage of the UNIT TO BE CONTROLLED (boiler, pump, etc.) IS NOT CONNECTED and that it matches the indication given inside the appliance. (fig.2)
 Make also sure that the unit suits the thermostat contacts rating features (see paragraph "Technical Data").

INSTALLATION

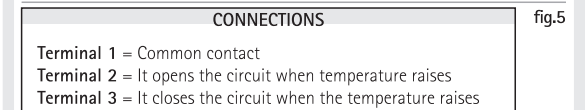
WARNING:

All the installation operations included in this manual, must be carried out by qualified personnel only, strictly complying with all safety and law provisions in force.

- Fix the appliance to the pipe by means of its specific fastener. (fig.3)
- Disjoin the adjusting knob (when present) and then release the relevant fixing screw. Remove the front cover. Thread the power supply wires in the provided fairlead and connect them to the appliance terminals (fig.4) according to the instructions of the following paragraph "Wiring Connections". Snap the front cover back, tighten it by means of the provided screw and then fit the knob in its proper seat (if applicable).

A = Spring-band

WIRING CONNECTIONS



Normally (heating plants) use terminals 1 and 2.

TEMPERATURE SETTING

See fig.6
 B = Temperature adjusting knob