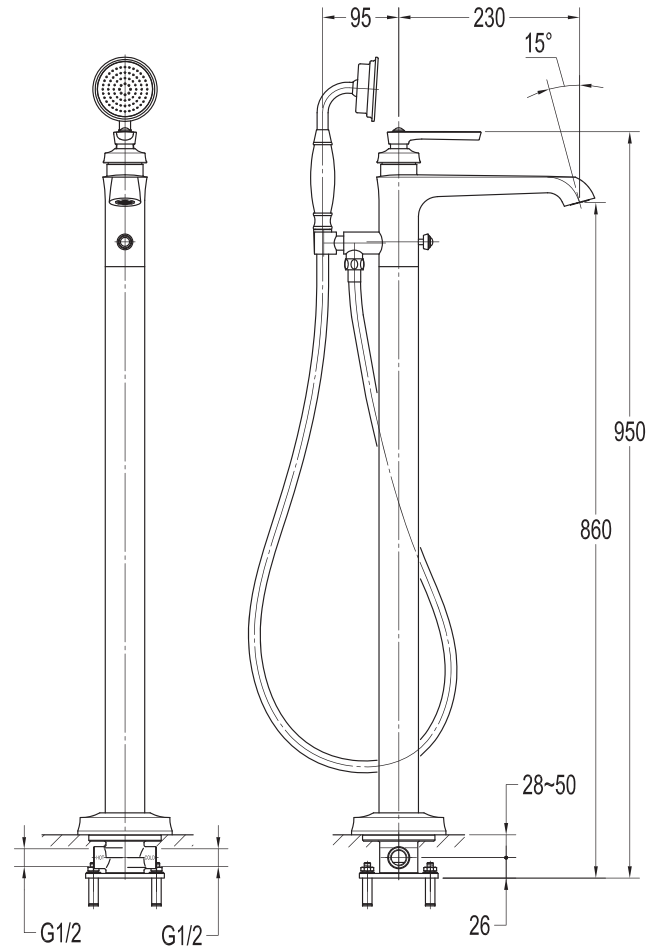


INSTRUCTION MANUAL

BS01911618

III. Installation Diagram



* The installation diagram is only for reference, the product is subject to the real object.

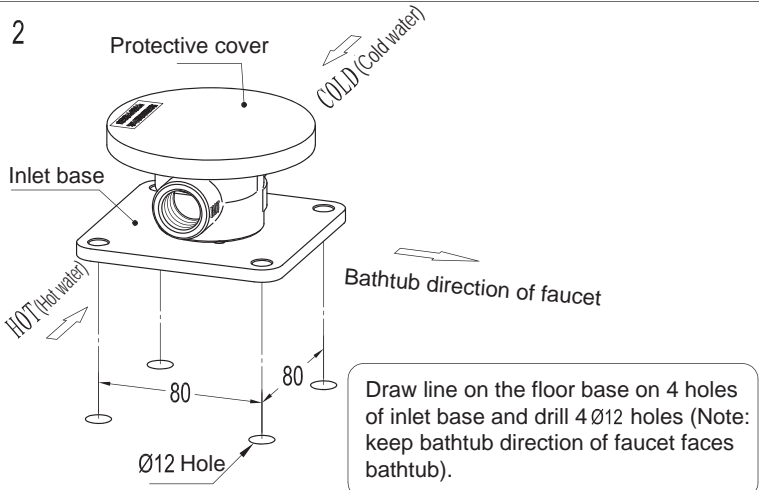
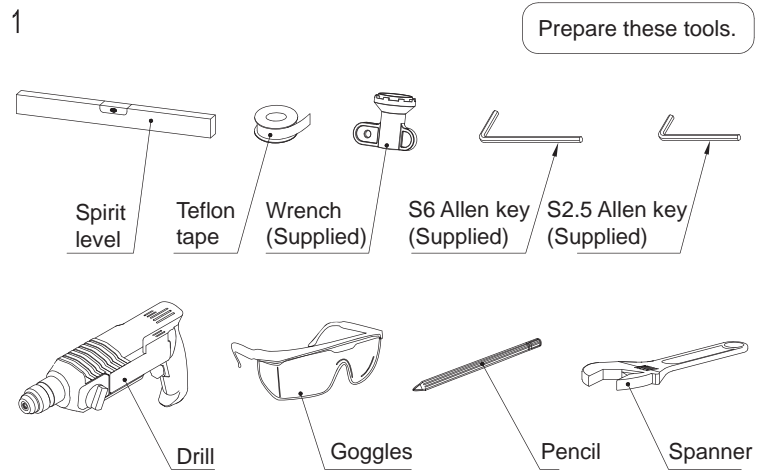
I. Installation Notice

1. Install water supply lines in accordance with this manual.
2. Floor drain should be installed in the location of the faucet.
3. Install exposed parts (except inlet base) only after the completion of house interior decoration in case paint or other chemicals erode faucet surface. Before this, do not remove the protective cover for inlet base.
4. Flow water to clean pipes before installation to get rid of mud, sand or other debris.
5. If the thread of pipes don't match well with product, please find out the reason first, otherwise a forced connection will damage the faucet.
6. After installation, ensure all the joints are firmly connected. Then turn on water supply and open faucet repeatedly to make sure there are no leaks. At this stage, the product is ready for normal use.
7. Keep the manual to the user.

II. Operation Notice

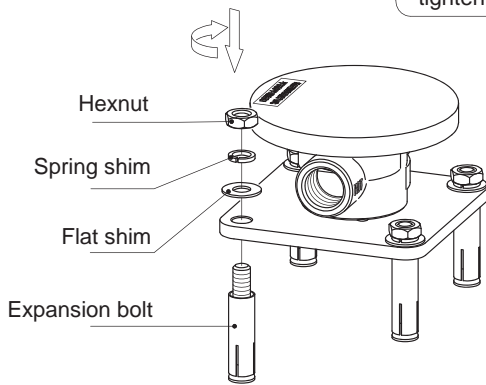
1. The working condition of this product is water pressure 0.05~1.0MPa, water temperature 4~90°C.
2. Do not hang heavy things on the faucet.
3. Make sure the faucet is off when no water comes out of it (especially when nobody resides in or during the period of decoration or suspend of water).
4. Regularly clean the surface of faucet to keep it bright. Attention: do not use inappropriate tools such as sharp brushes, rough sponges, scouring pads or corrosive detergent to clean the faucet, and we do not recommend that you use the detergent sold in the market, because its formula is changing frequently. Please clean the faucet by a wet cotton cloth with soapy water, then rinse and dry with a soft cotton cloth after each time of usage.
5. When the room temperature drops to below 0°C, take necessary measures (such as keeping faucet warm and closing windows) to prevent the faucet from being frozen or even broken (especially when windows kept open for air ventilation while nobody resides in).
6. Please open the cold and hot water handle in turn and adjust to comfortable temperature before washing to avoid scald.
7. Do not disassemble the product to avoid any damage.

IV. Installation Steps(Fig.1-13)



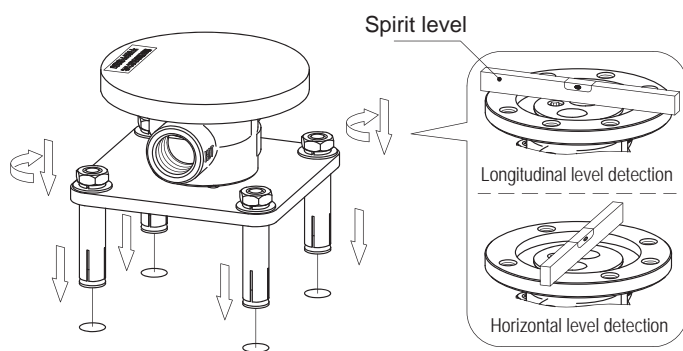
3

Install 4 expansion bolts to inlet base and slightly tighten with hexnut.



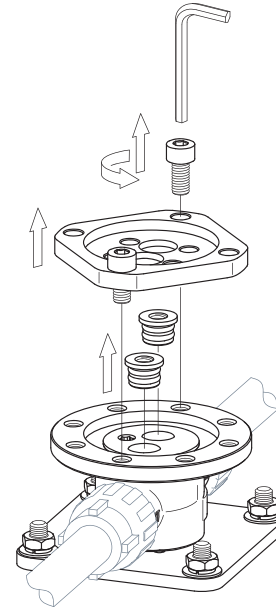
4

Insert expansion bolts into holes on the floor (Note: keep bathtub direction of faucet faces bathtub), adjust the top surface of inlet base to level position with spirit level and tighten with hexnut.

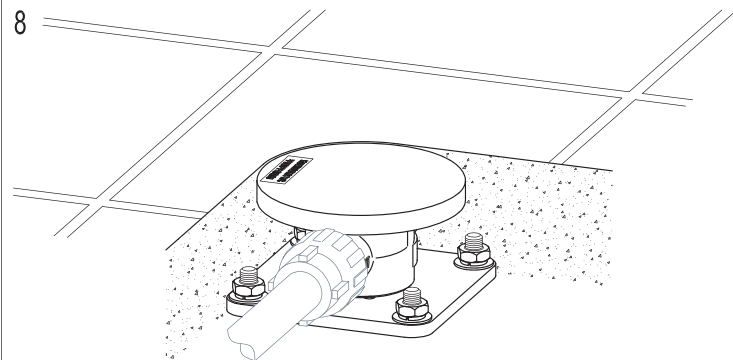


7

Unscrew M8 x 16 screw, remove flange and plug.

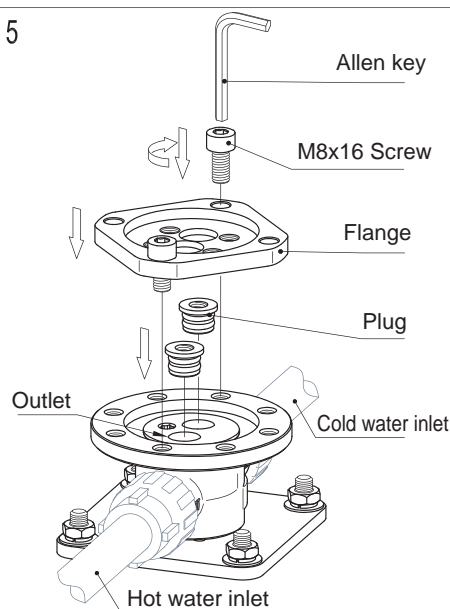


8



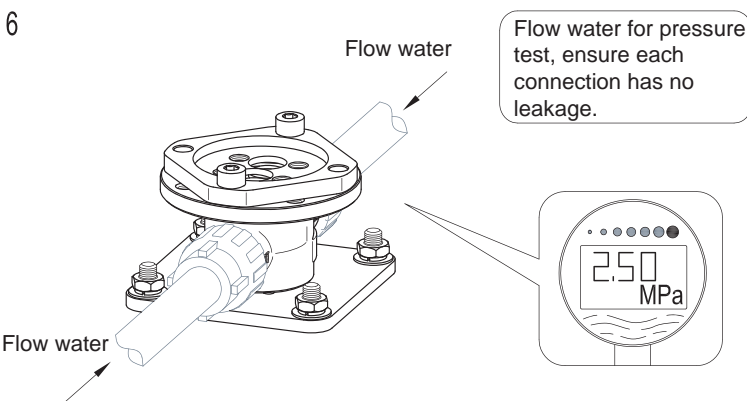
Put on protective cover, then pave floor tiles (Note: the height of tiles should be at the same level or a bit higher than the top surface of protective cover).

5



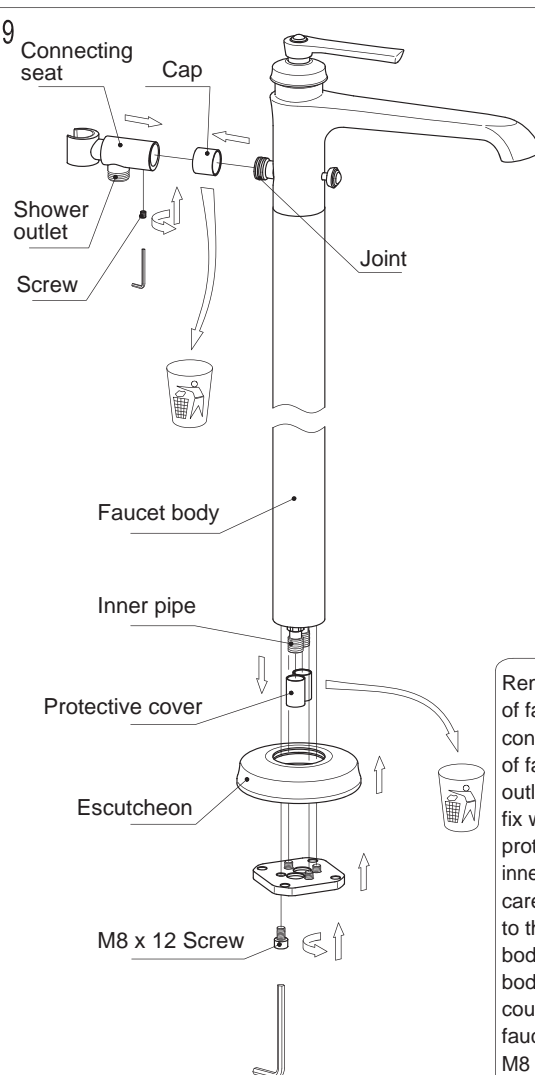
Connect inlet base with cold and hot water inlet pipes, (the side with **HOT** mark connect to hot water inlet, the side with **COLD** mark connect to cold water inlet, it means hot left and cold right), wrap connectors with teflon tape. Note to flow water to get rid of dirt in pipes before connection. Remove protective cover, insert plug into outlet of inlet base and fix with flange (Note to keep the side with counter bore of flange face upwards).

6



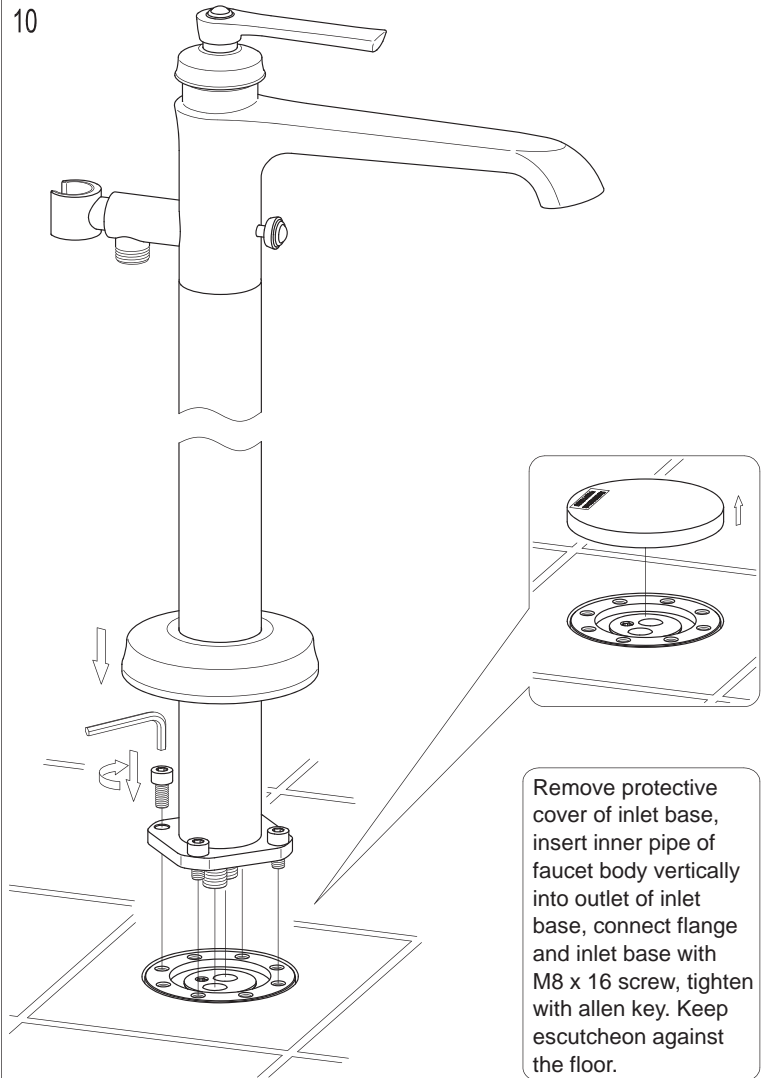
Flow water for pressure test, ensure each connection has no leakage.

9

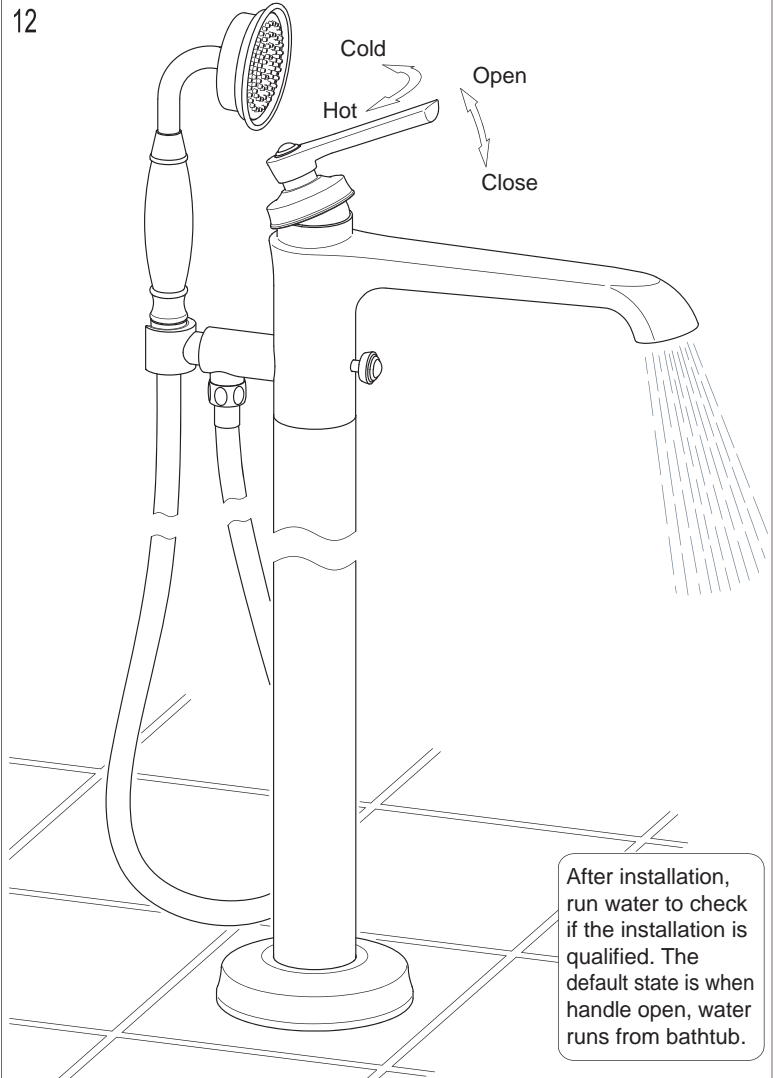


Remove cap from joint of faucet body, insert connecting seat into joint of faucet body (shower outlet face downwards), fix with screw. Remove protective cover from inner pipe, slip escutcheon carefully to avoid scratch to the surface of faucet body. Fix flange to faucet body firmly (the side with counter bore back against faucet body) with M8 x 12 screw.

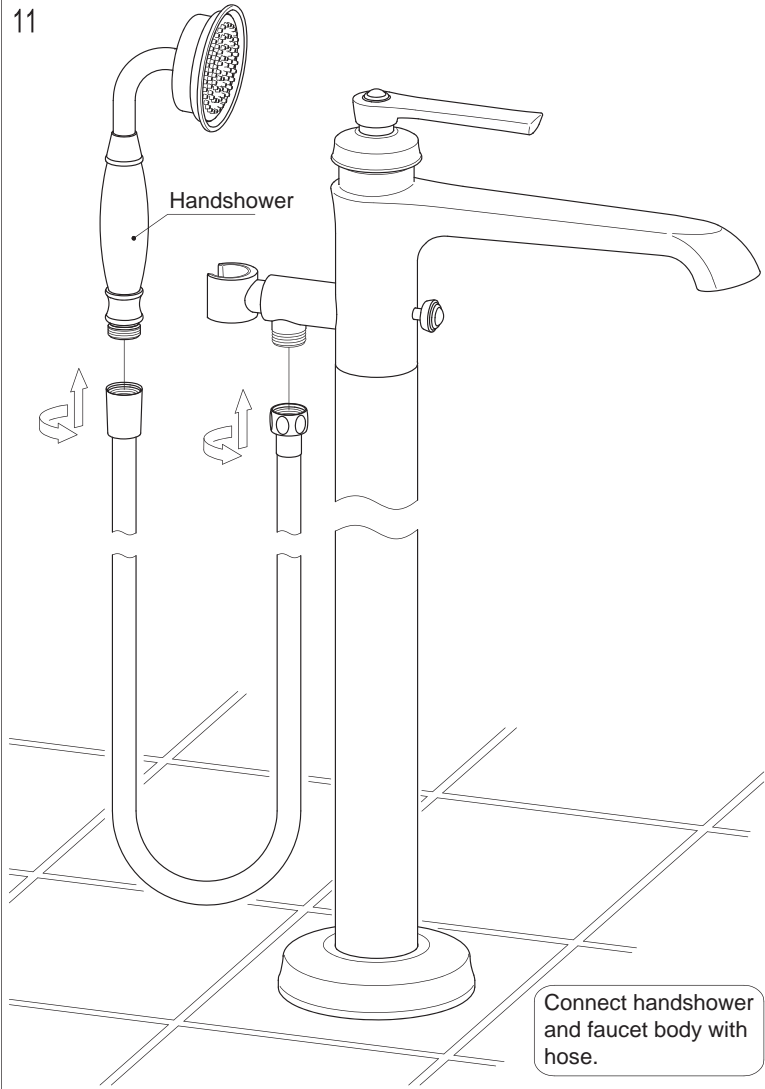
10



12



11



13

