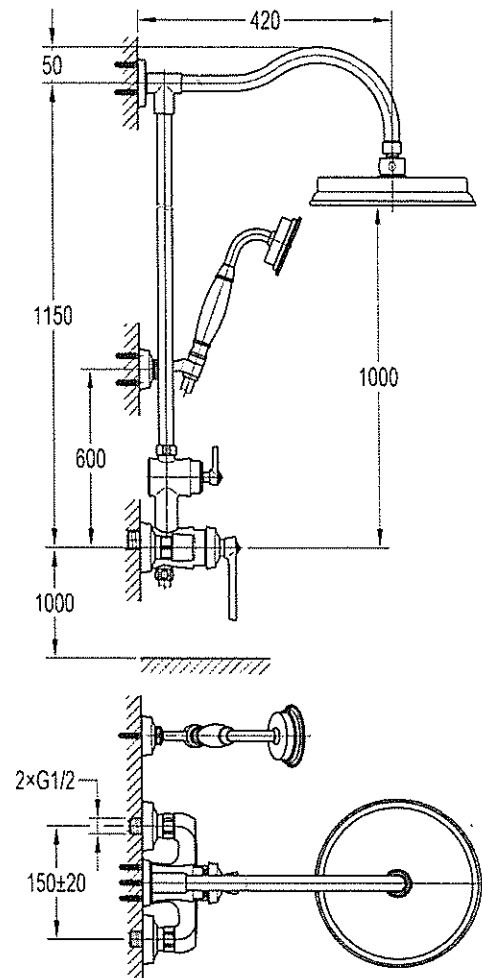


INSTRUCTION MANUAL

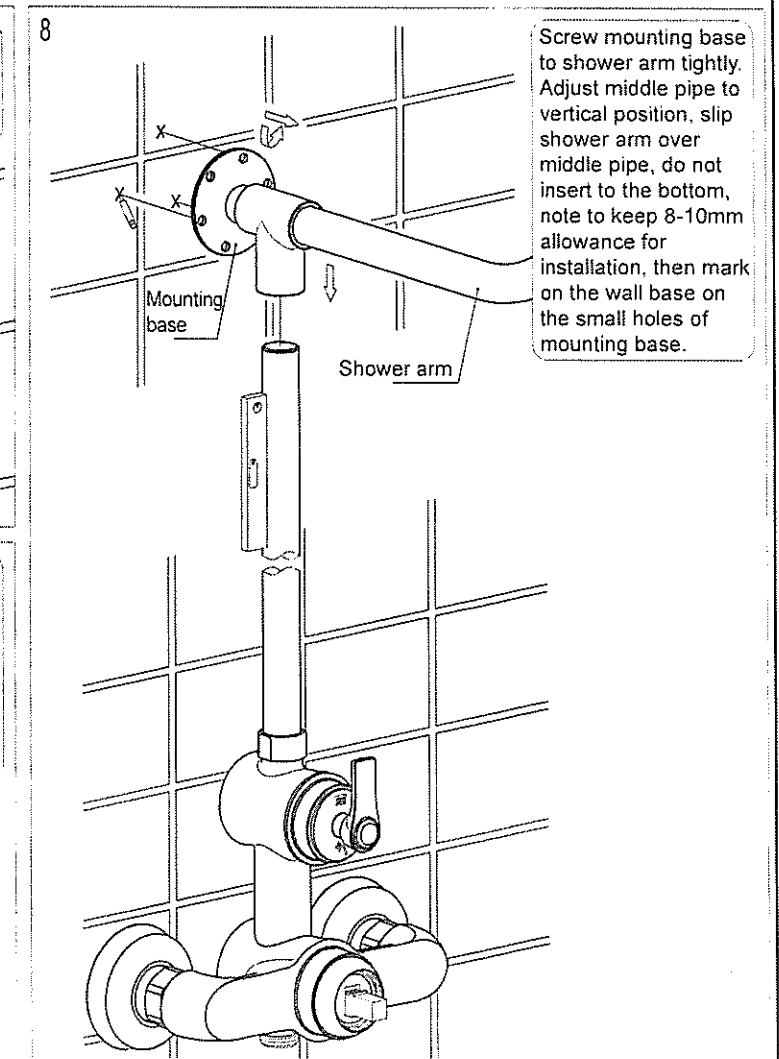
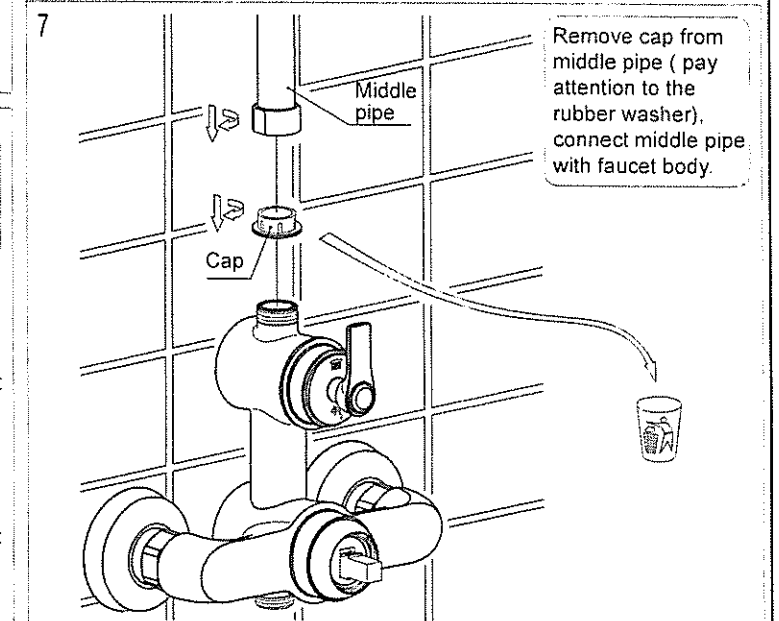
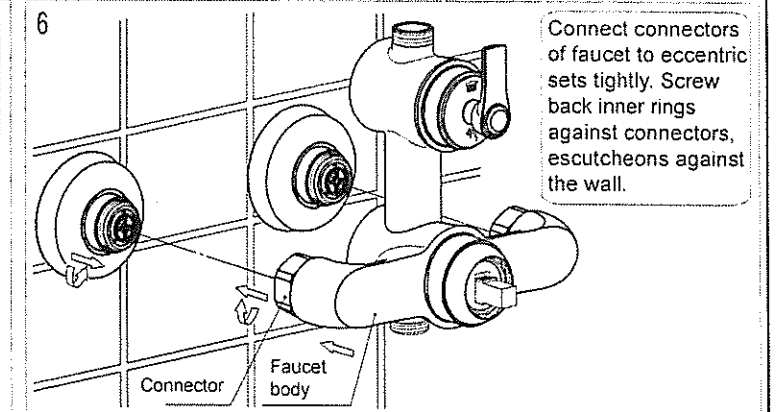
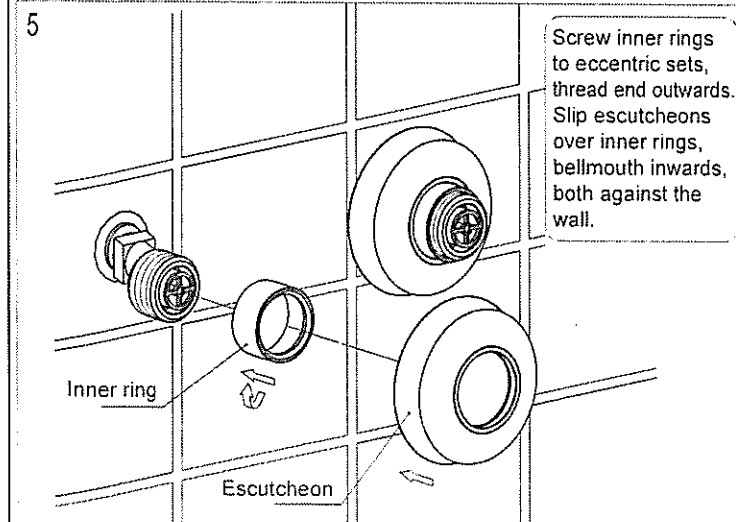
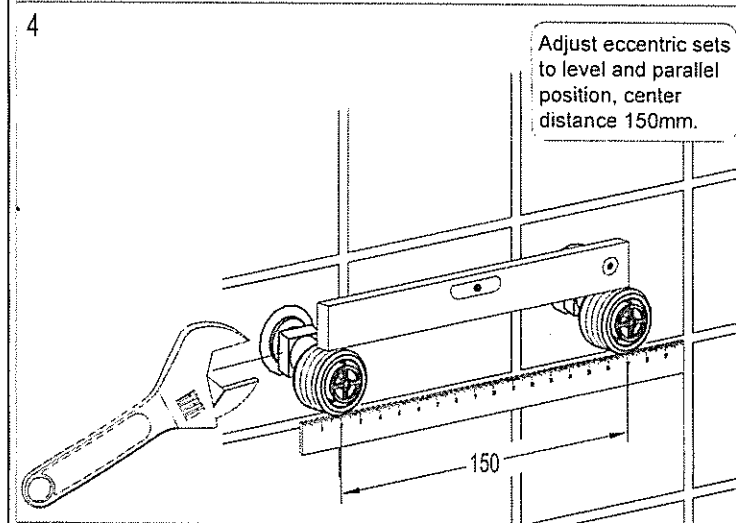
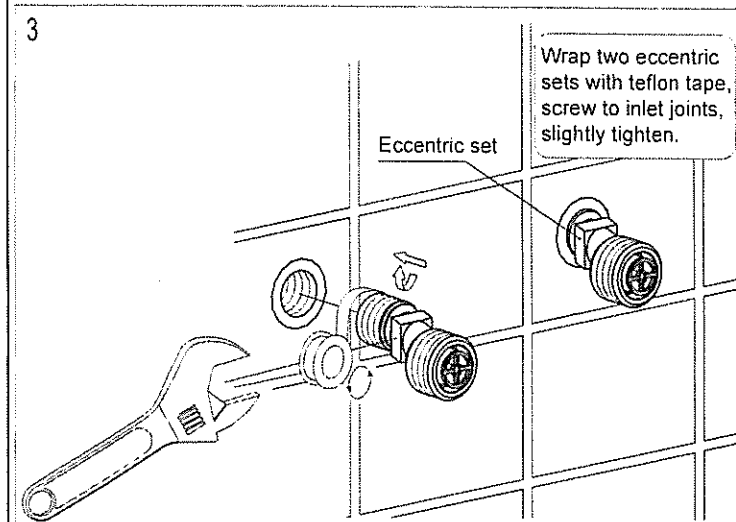
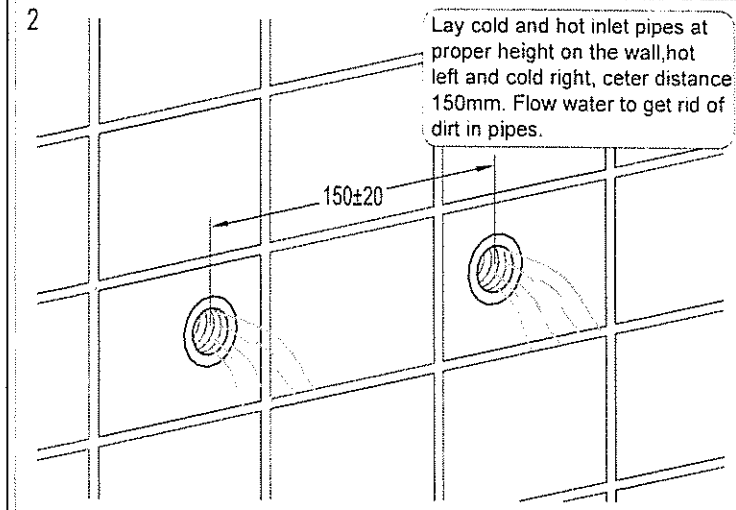
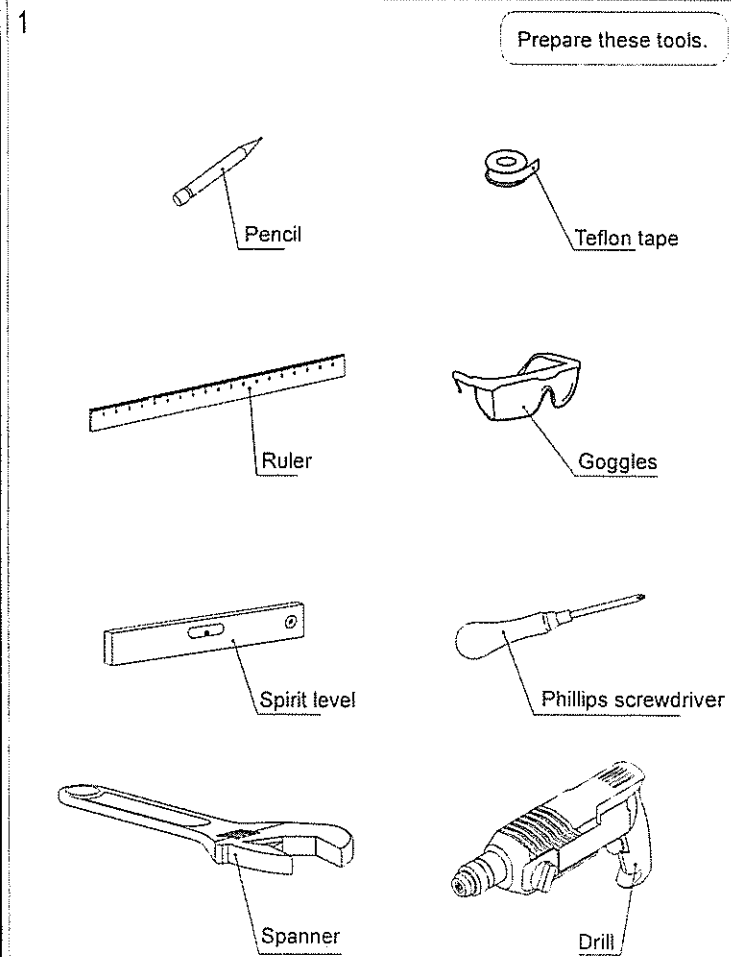
BS01891603

III. Installation Diagram



The installation diagram is only for reference, the product is subject to the real object.

IV. Installation Steps (Fig. 1-18)

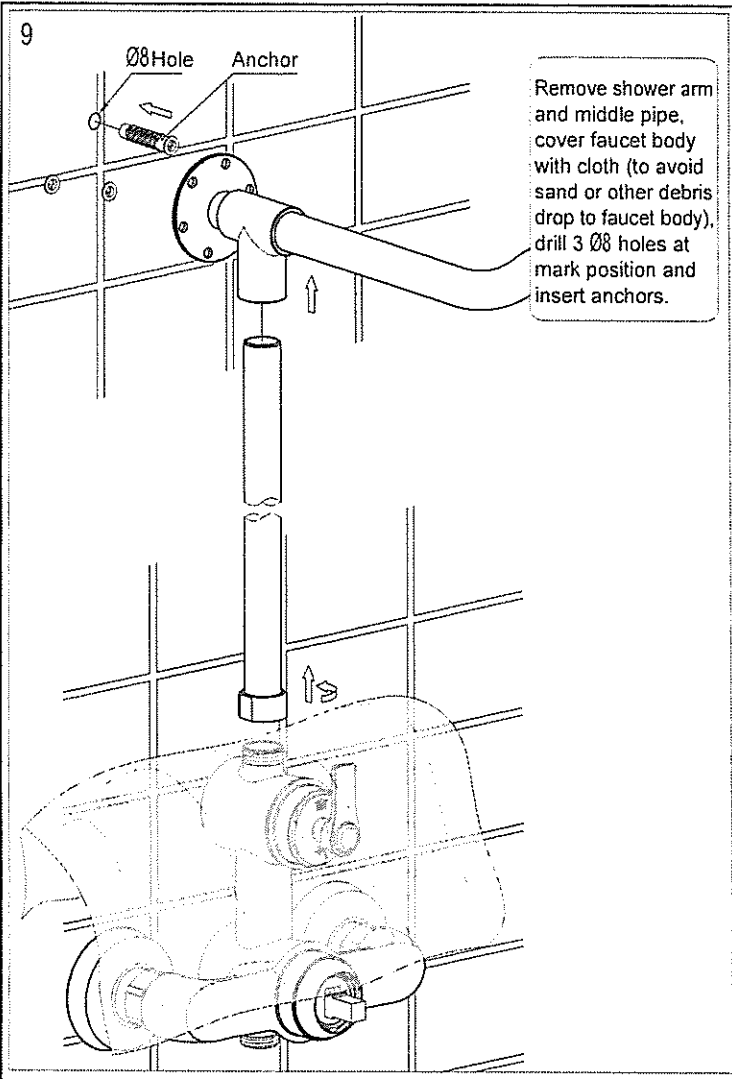


I. Installation Notice

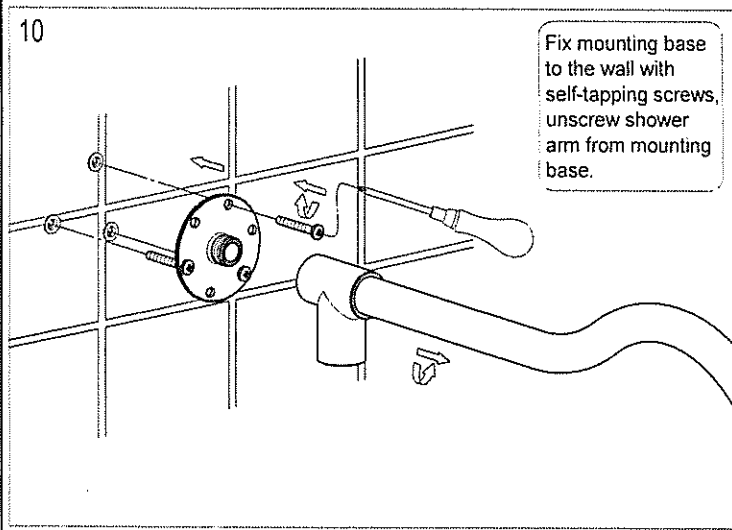
1. Install water supply lines in accordance with this manual.
2. Floor drain should be installed in the location of the faucet.
3. Install faucets only after the completion of house interior decoration in case paint or other chemicals erode faucet surface.
4. Clean pipes before installation to get rid of mud, sand or other debris.
5. If the thread of pipes don't match well with product, please find out the reason first, otherwise a forced connection will damage the faucet.
6. After installation, ensure all the joints are firmly connected. Then turn on water supply and open faucet repeatedly to make sure there are no leaks. At this stage, the product is ready for normal use.
7. Keep the manual to the user.

II. Operation Notice

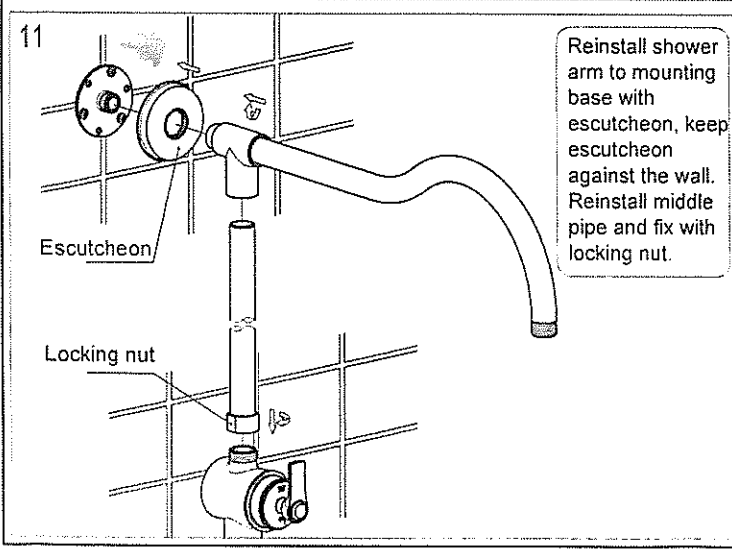
1. The working condition of this product is water pressure 0.05~1.0MPa, water temperature 4~90°C.
2. Do not hang heavy things on the faucet.
3. Make sure the faucet is off when no water comes out of it (especially when nobody resides in or during the period of decoration or suspend of water).
4. Regularly clean the surface of faucet to keep it bright. Attention: do not use inappropriate tools such as sharp brushes, rough sponges, scouring pads or corrosive detergent to clean the faucet, and we do not recommend that you use the detergent sold in the market, because its formula is changing frequently. Please clean the faucet by a wet cotton cloth with soapy water, then rinse and dry with a soft cotton cloth after each time of usage.
5. When the room temperature drops to below 0°C, take necessary measures (such as keeping faucet warm and closing windows) to prevent the faucet from being frozen or even broken (especially when windows kept open for air ventilation while nobody resides in).
6. Please open the cold and hot water in turn and adjust to comfortable temperature before washing, do not touch the hot part of faucet to avoid scald.
7. Do not disassemble the product to avoid any damage.



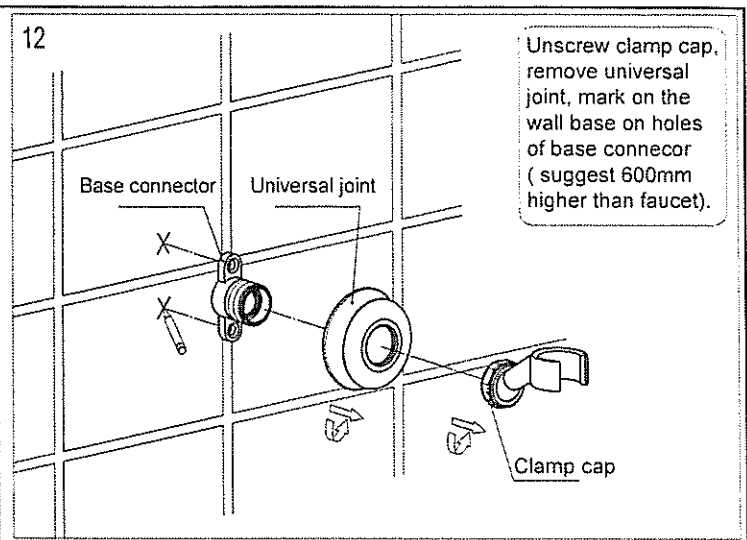
Remove shower arm and middle pipe, cover faucet body with cloth (to avoid sand or other debris drop to faucet body), drill 3 Ø8 holes at mark position and insert anchors.



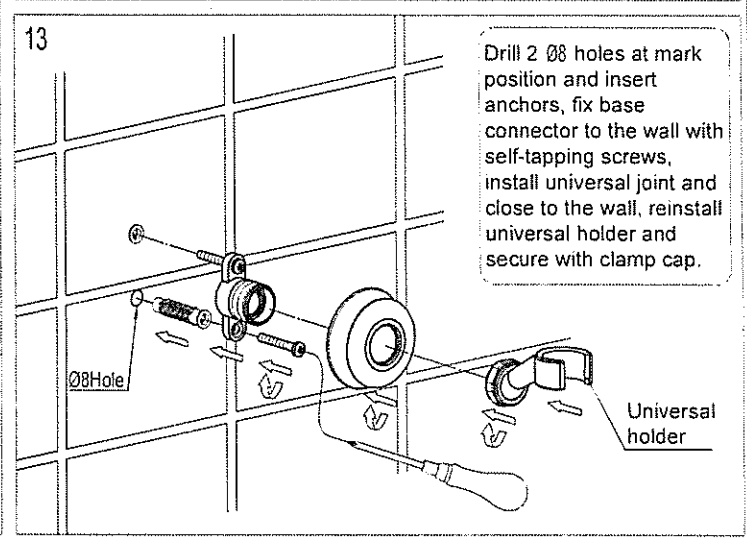
Fix mounting base to the wall with self-tapping screws, unscrew shower arm from mounting base.



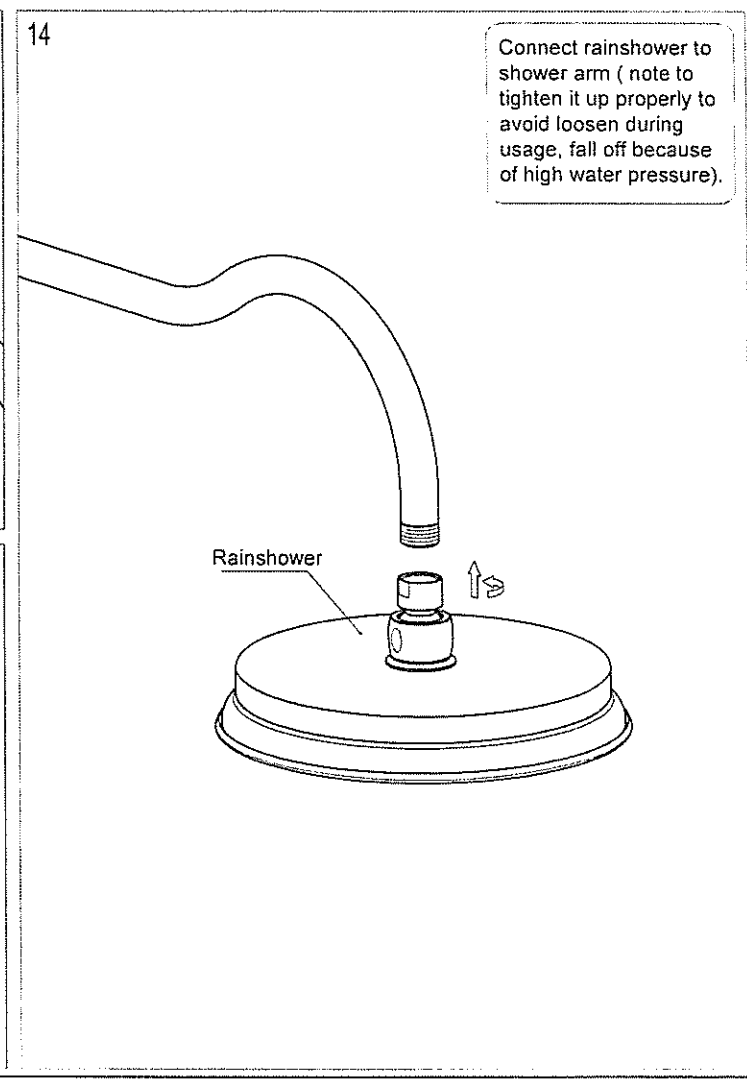
Reinstall shower arm to mounting base with escutcheon, keep escutcheon against the wall. Reinstall middle pipe and fix with locking nut.



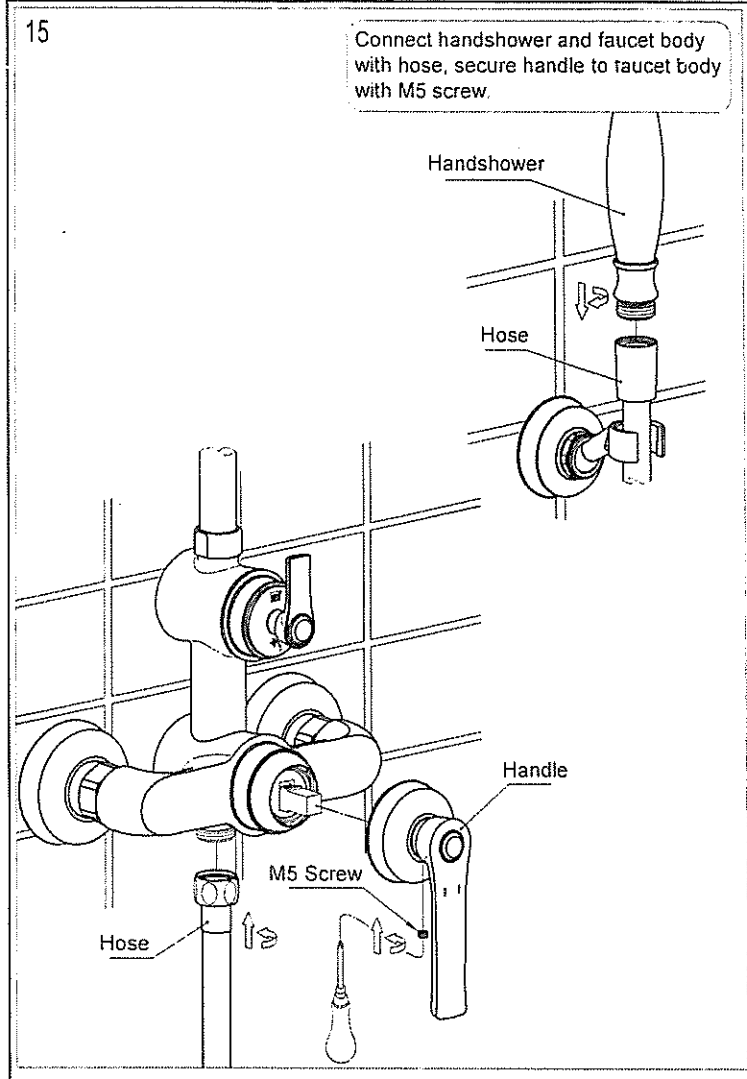
Unscrew clamp cap, remove universal joint, mark on the wall base on holes of base connector (suggest 600mm higher than faucet).



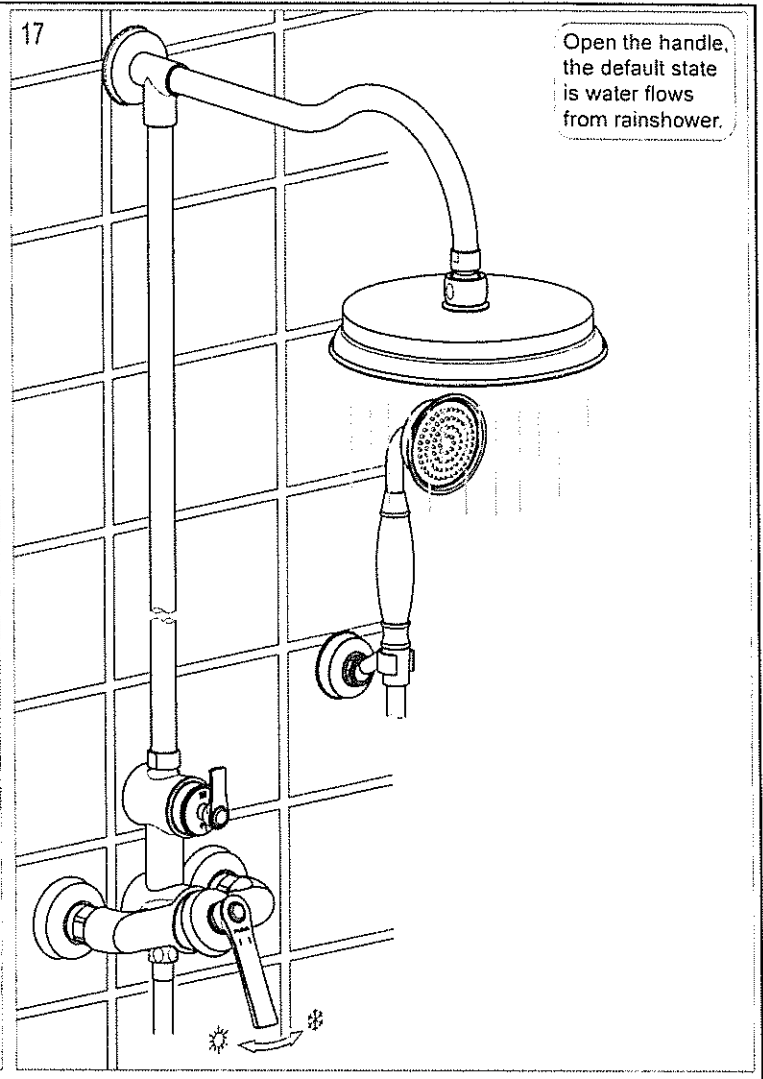
Drill 2 Ø8 holes at mark position and insert anchors, fix base connector to the wall with self-tapping screws, install universal joint and close to the wall, reinstall universal holder and secure with clamp cap.



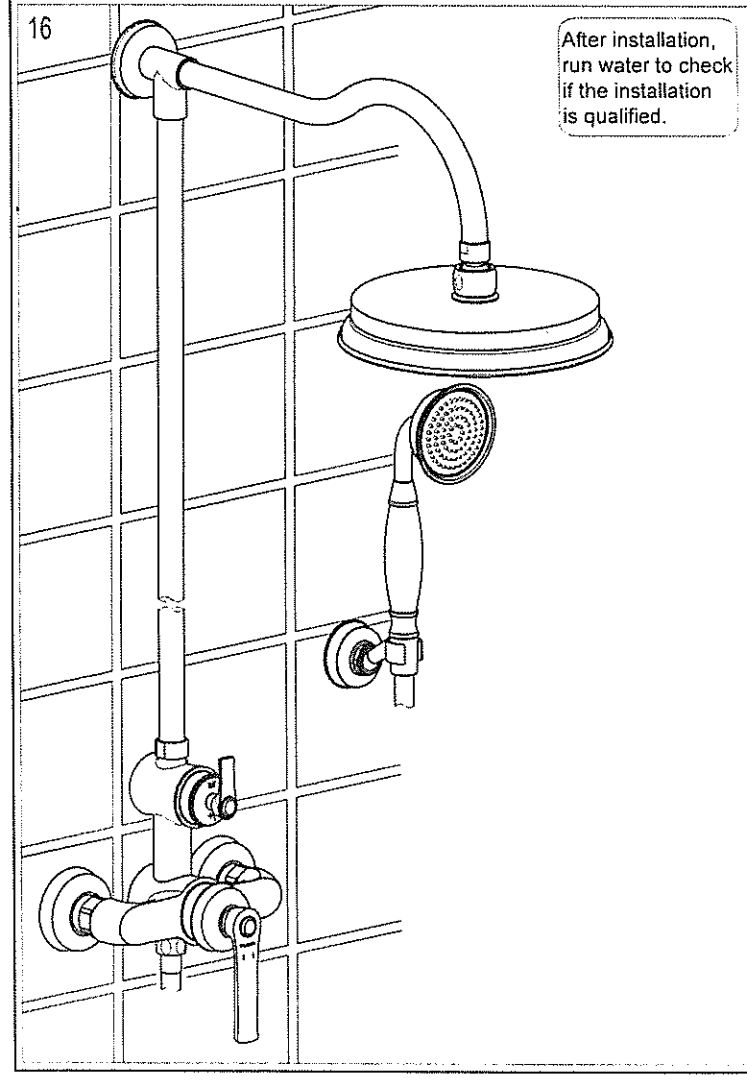
Connect rainshower to shower arm (note to tighten it up properly to avoid loosen during usage, fall off because of high water pressure).



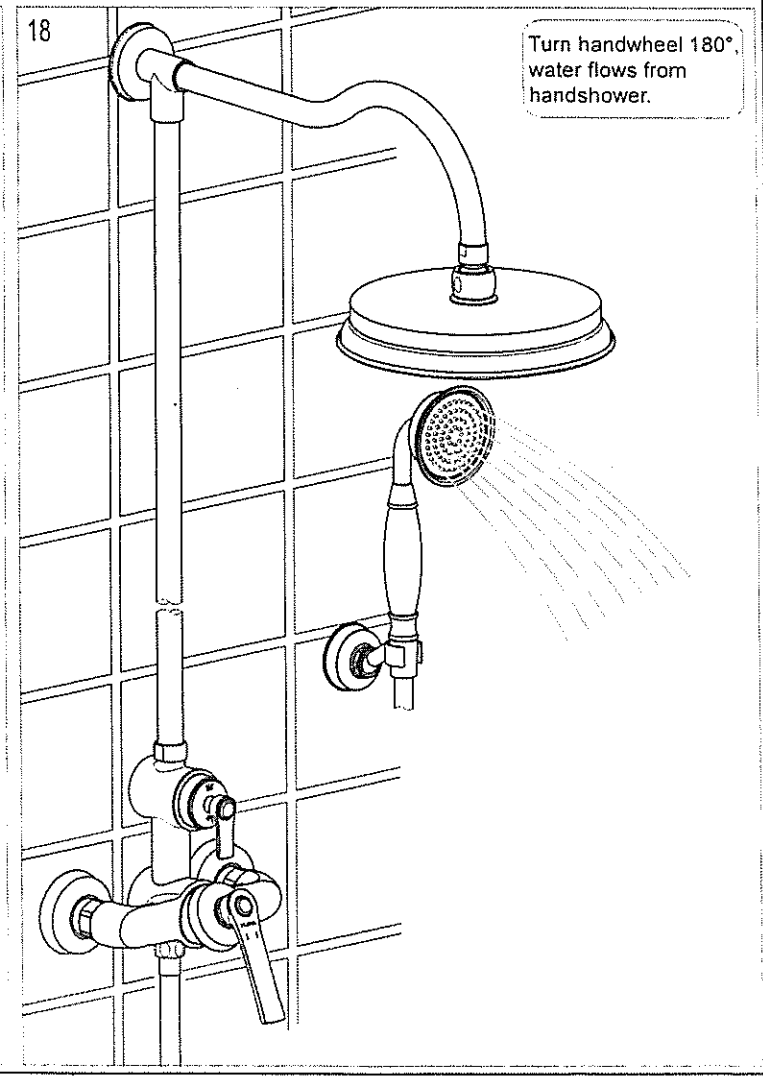
Connect handshower and faucet body with hose, secure handle to faucet body with M5 screw.



Open the handle, the default state is water flows from rainshower.



After installation, run water to check if the installation is qualified.



Turn handwheel 180°, water flows from handshower.