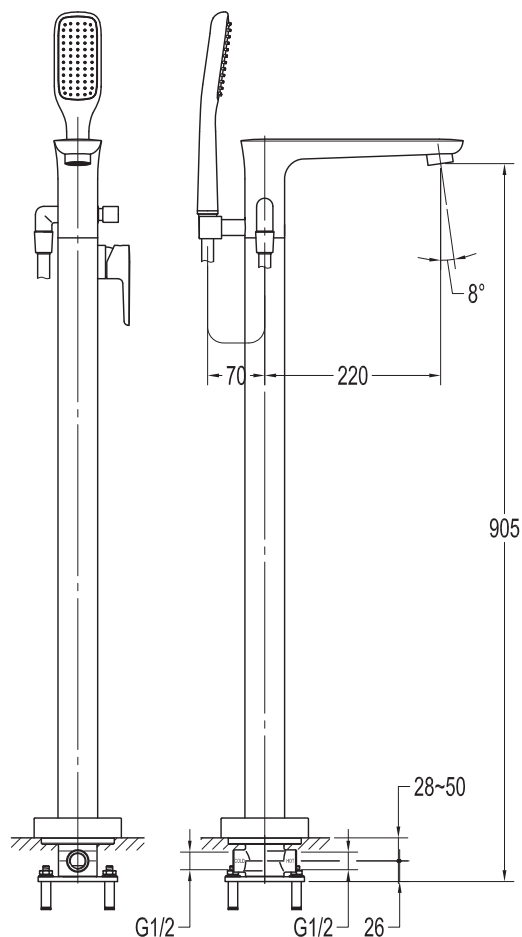


INSTRUCTION MANUAL

BS01551436

III. Installation Diagram



* The installation diagram is only for reference, the product is subject to the real object.

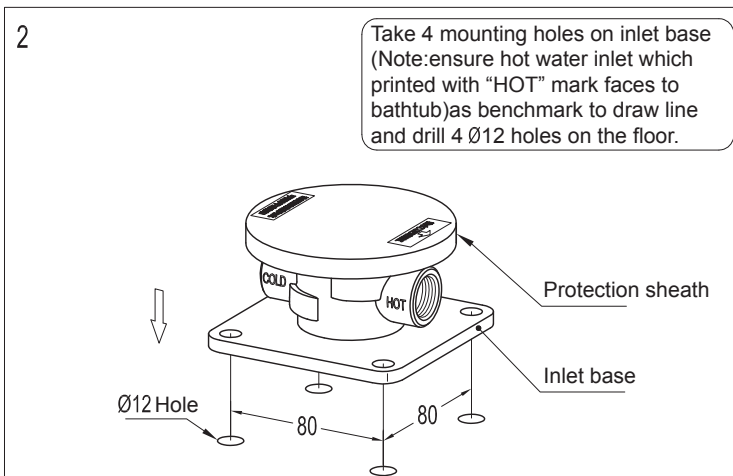
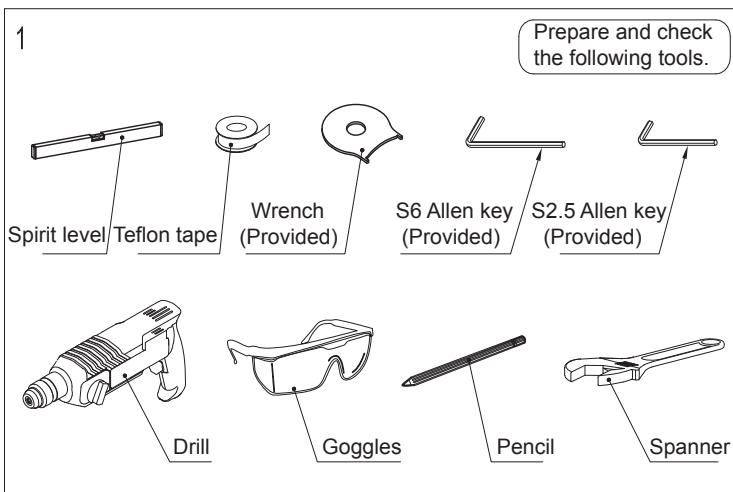
I. Installation Notice

1. Install water pipes in accordance with this manual.
2. Floor drain should be installed in the location of the faucet.
3. Install exposed parts (except inlet base) only after the completion of house interior decoration in case paint or other chemicals erode faucet surface.
Before this, do not remove the protection sheath for inlet base.
4. Clean pipes before installation to get rid of mud, sand or other debris.
5. If the thread of pipes don't match well with product, please find out the reason first, otherwise a forced connection will damage the faucet.
6. After installation, check all the joints to ensure they are firmly connected.
Then keep water flow. Turn on and off repeatedly to ensure there is no leakage around the joints. At this stage, the product is ready for normal use.
7. Keep the manual to the user.

II. Operation Notice

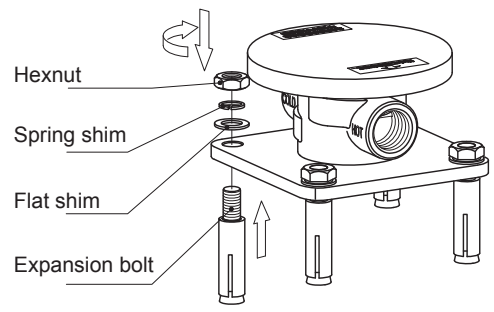
1. The working condition of this product is water pressure 0.05~1.0MPa, water temperature 4~90°C.
2. Do not hang heavy things on the faucet.
3. Make sure the faucet is off when no water comes out of it (especially when nobody resides in or during the period of decoration or suspend of water).
4. Regularly clean the surface of faucet to keep it bright. Attention: do not use inappropriate tools such as sharp brushes, rough sponges, scouring pads or corrosive detergent to clean the faucet, and we do not recommend that you use the detergent sold in the market, because its formula is changing frequently. Please clean the faucet by a wet cotton cloth with soapy water, then rinse and dry with a soft cotton cloth after each time of usage.
5. When the room temperature drops to below 0°C, take necessary measures (such as keeping faucet warm and closing windows) to prevent the faucet from being frozen or even broken (especially when windows kept open for air ventilation while nobody resides in).
6. Please open the cold and hot water in turn and adjust to comfortable temperature before washing to avoid scald.
7. Do not disassemble the product unless you are an expert.

IV. Installation Steps (Fig. 1-13)



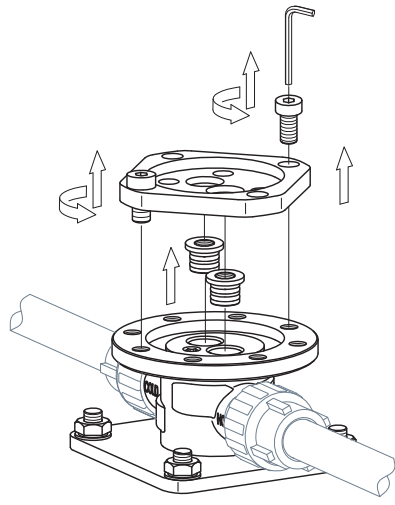
3

Install 4 expansion bolts to inlet base and slightly tighten with hexnut.



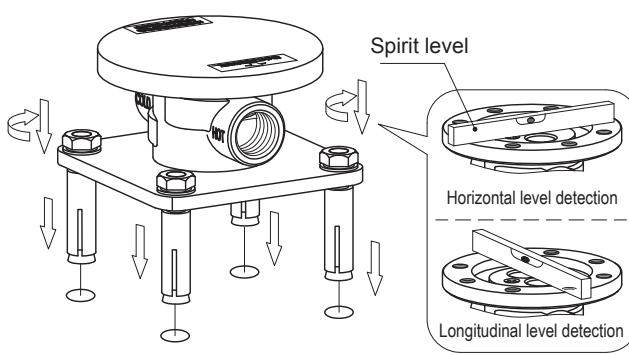
7

Unscrew locking screw, remove flange and plug.



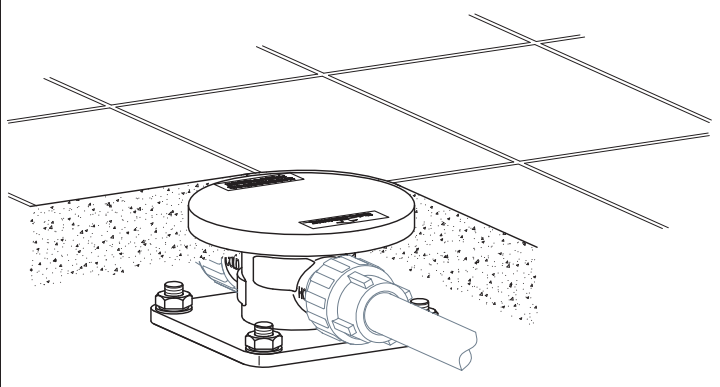
4

Insert expansion bolts into holes on the floor (Note: hot water inlet which printed with "HOT" mark on inlet base faces to the bathtub), adjust the top surface of inlet base to level position with spirit level and tighten with hexnut.



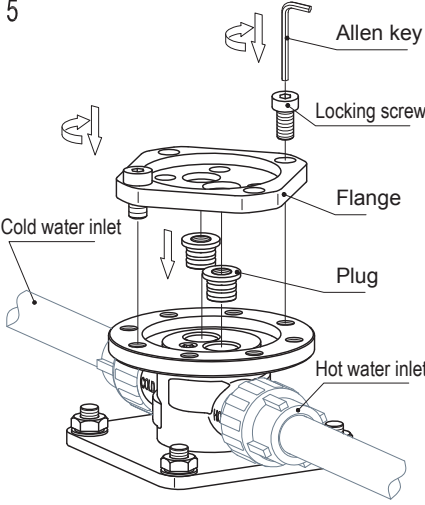
8

Put on protection sheath for paving floor tiles (Note: the height of tiles should be at the same level or a bit higher than the top surface of protection sheath).



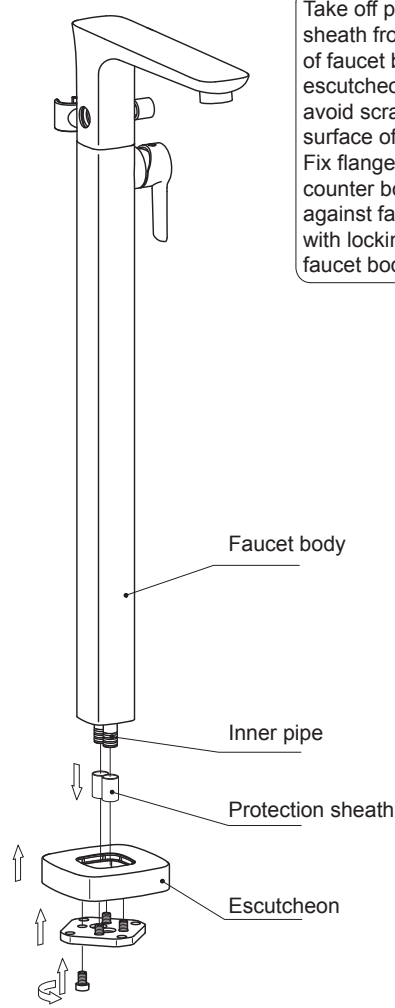
5

Connect inlet base with cold and hot water inlet pipe, **hot water inlet faces to bathtub, cold water inlet back against bathtub (means front hot and back cold)**, wrap connectors with teflon tape. Note to flow water to get rid of dirt in pipes. Remove protection sheath, insert plug into outlet of inlet base and fix with flange (Note to keep the side with counter bore of flange face upward).



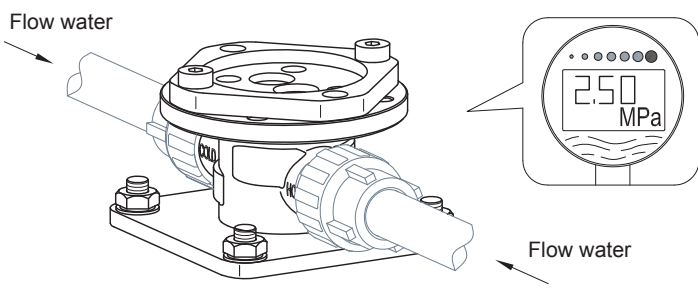
9

Take off protection sheath from inner pipe of faucet body, put on escutcheon carefully to avoid scratch to the surface of faucet body. Fix flange (the side with counter bore back against faucet body) with locking screw to faucet body firmly.

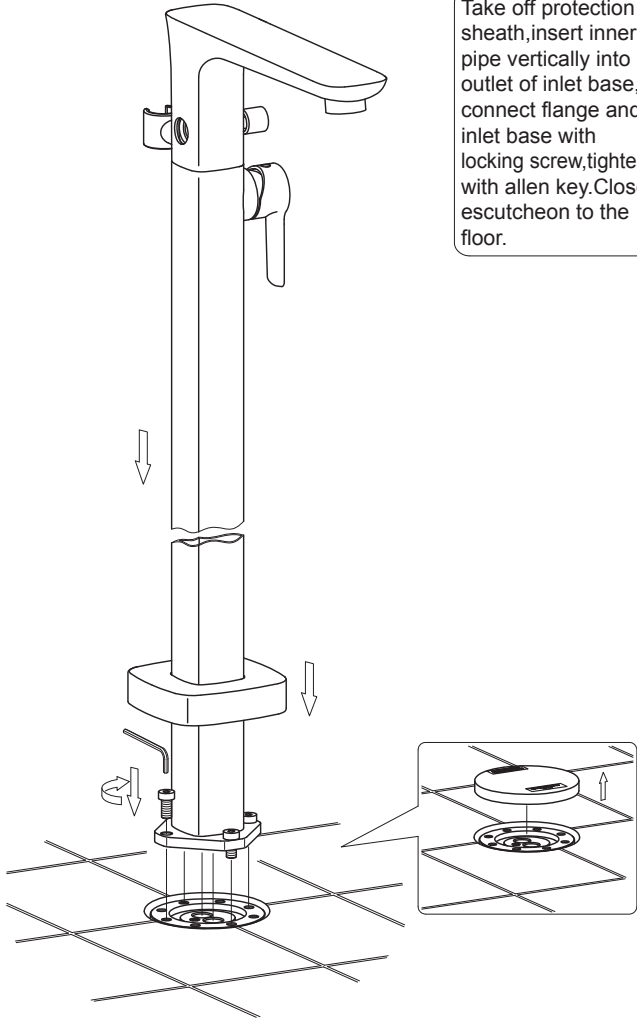


6

Flow water for pressure test, ensure each connection has no leakage occurs.

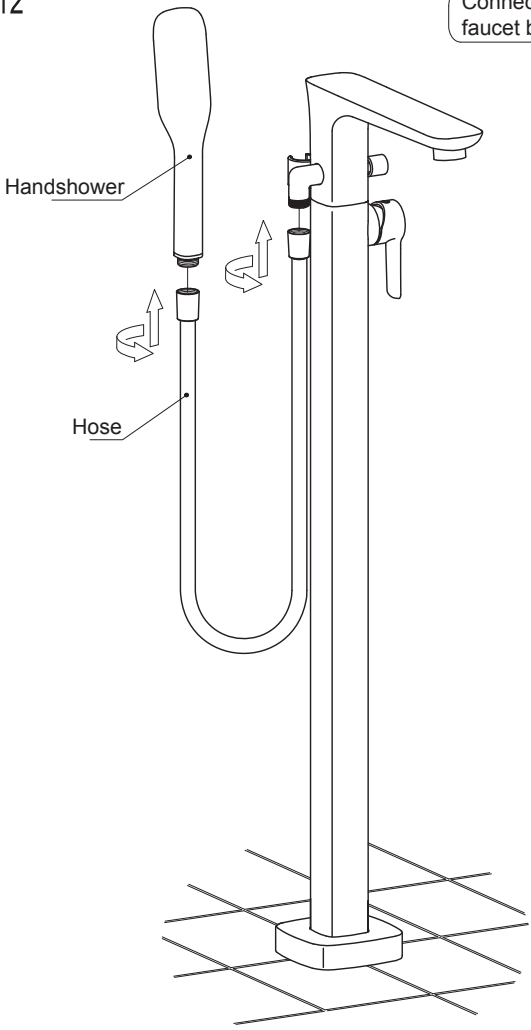


10



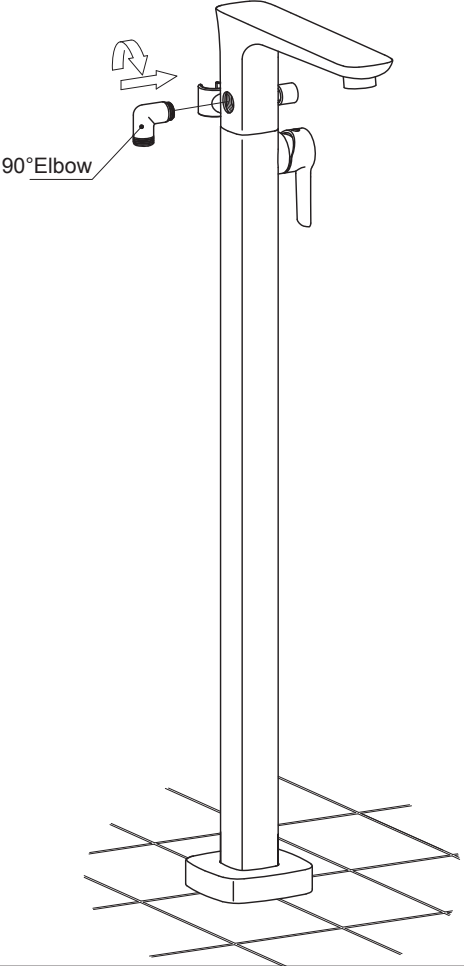
Take off protection sheath, insert inner pipe vertically into outlet of inlet base, connect flange and inlet base with locking screw, tighten with allen key. Close escutcheon to the floor.

12



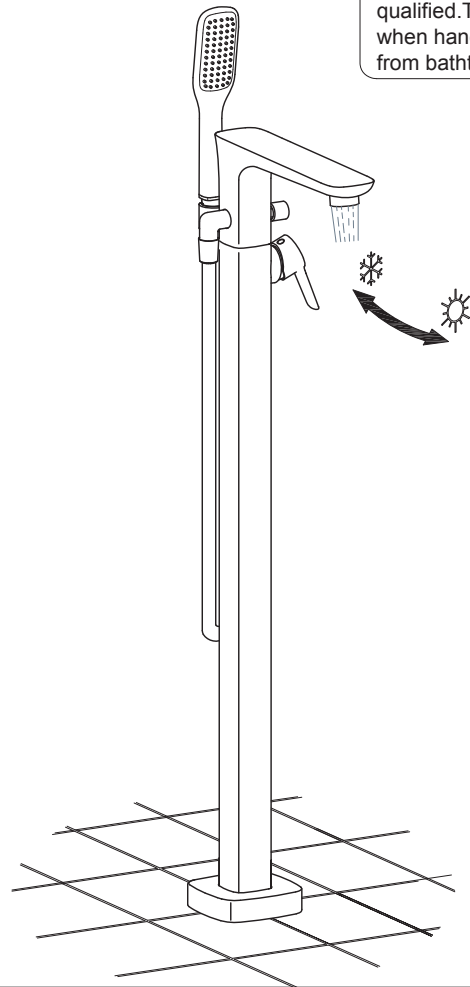
Connect handshower and faucet body with hose.

11



Screw 90° elbow to faucet body.

13



After installation, run water to check if the installation is qualified. The default state is when handle open, water runs from bathtub.