

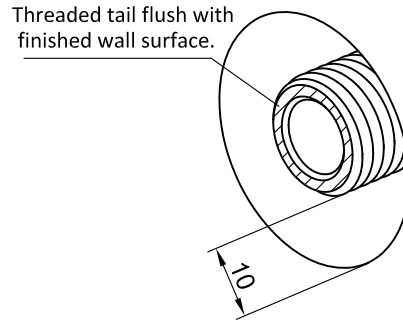
Installation Guide

Shower Arm & Rose-FWCU09



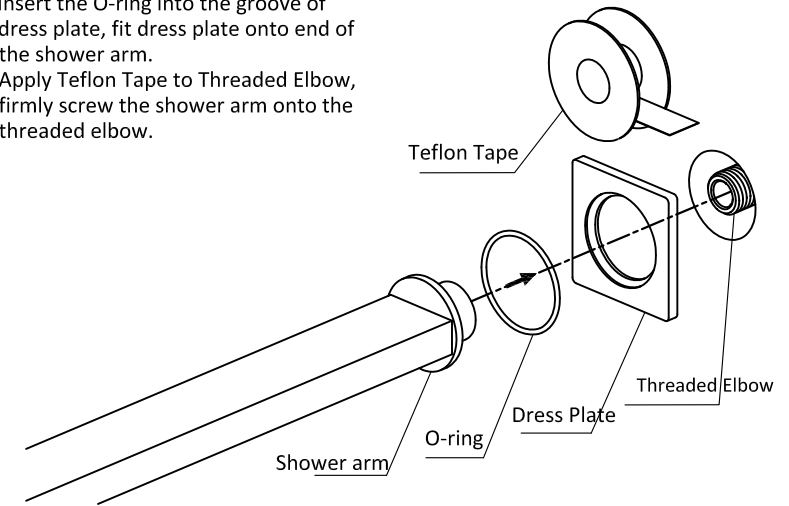
1

Create a 40mm diameter hole on the finished wall surface and ensure there are 10mm circle space around the G1/2 thread for mounting. Ensure the threaded tail is flushing with finished wall surface.



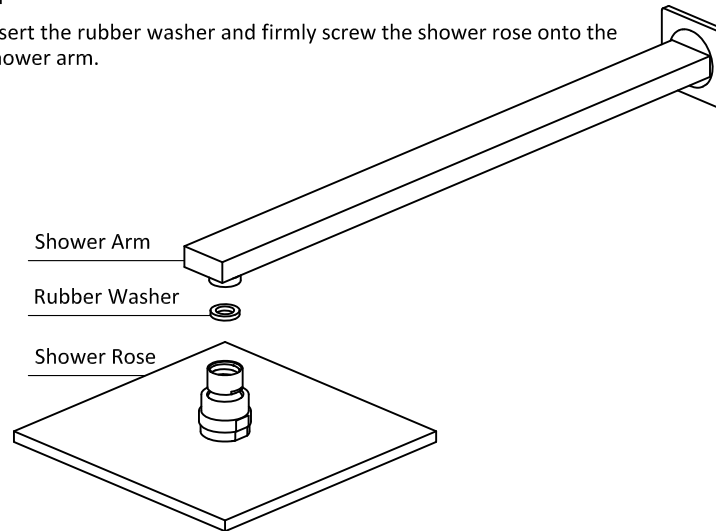
2

Insert the O-ring into the groove of dress plate, fit dress plate onto end of the shower arm. Apply Teflon Tape to Threaded Elbow, firmly screw the shower arm onto the threaded elbow.



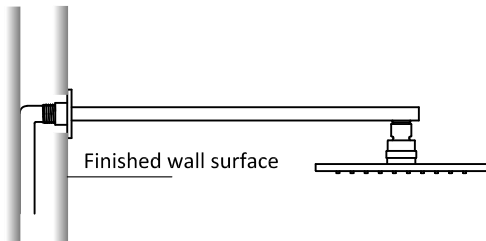
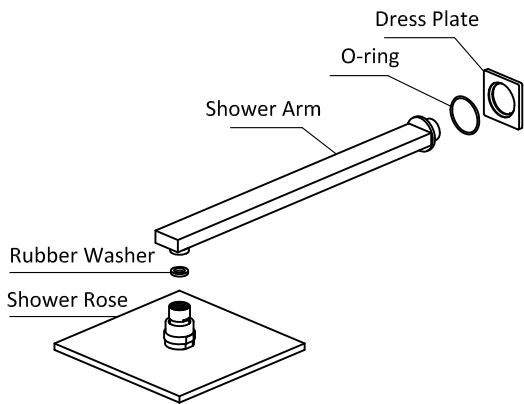
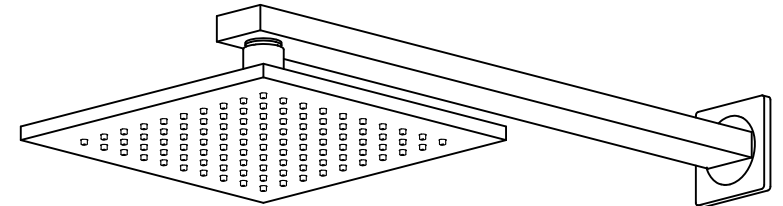
3

Insert the rubber washer and firmly screw the shower rose onto the shower arm.



4

Finished Work



The G1/2 outlet thread should be flushing with the finished wall surface as shown above.

Notes

1. Pressure rating: 150-500kpa. If the pressure exceeds or is likely to exceed 550kpa, an approved pressure limiting device must be installed.
2. Temperature rating: 1-75°C. If the water temperature exceeds 55°C, an approved tempering valve must be fitted.
3. Flush out all pipes prior to installation.
4. Installation should comply with Australia standard AS/NZS3500 or relevant local authority requirements.

Maintenance and Care

1. All products should be cleaned with mild detergent or soapy water by using a soft cloth or dampened sponge.
2. Dry with a soft cloth after each use and clean regularly.
3. Do not use any chemical or abrasive cleaners.