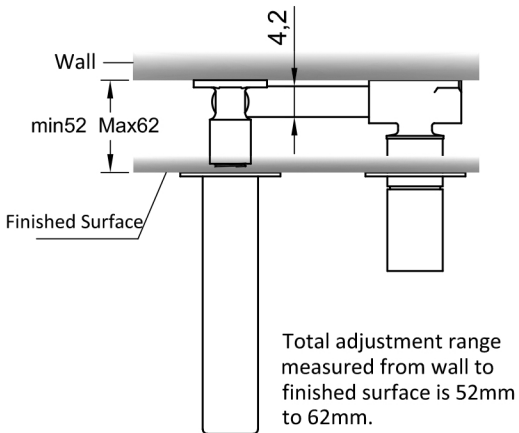
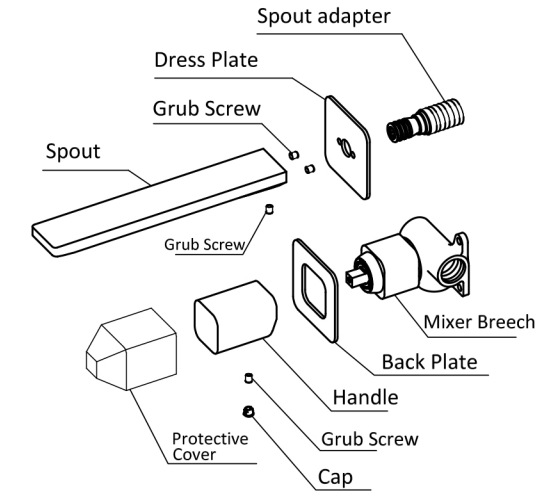


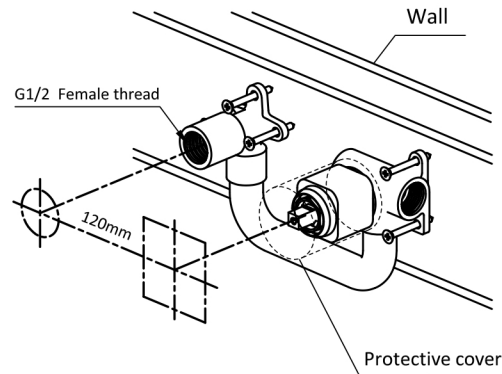
# Installation Guide

## Wall Basin Mixer- FWCU8286



**1**

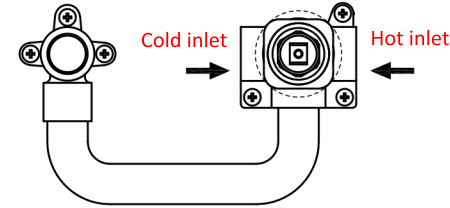
Mount the mixer body and the angle elbow in place, using the screws provided. Ensure the mixer body & angle elbow is level and the center distance between them are 120mm.



**2**

Connect hot and cold water supplies as shown. **Test and check for leaks** per following steps.

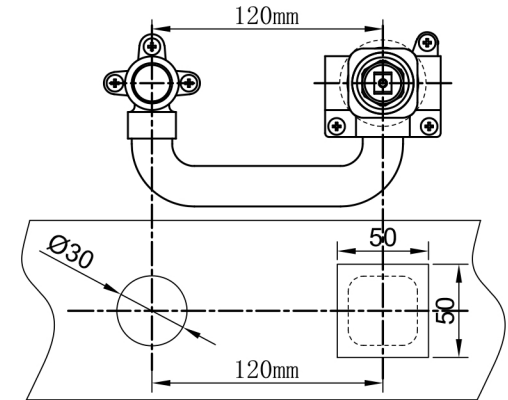
- 1). Turn off cartridge, check the leak for cold and hot joints ;
- 2). Put on the pipe stopper and turn on cartridge , check the leak for pipe work.



**Note:** Do not take off protective cover till final fit-off.

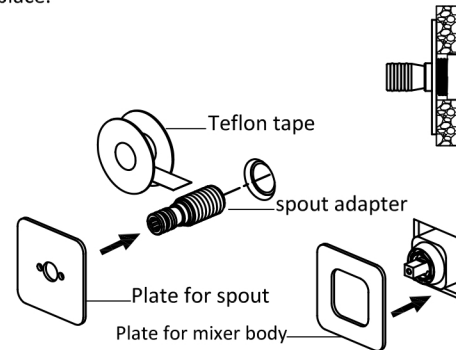
**3**

Cut a 30mm diameter hole and a 50\*50mm square hole in the finished wall surface as shown.



**4**

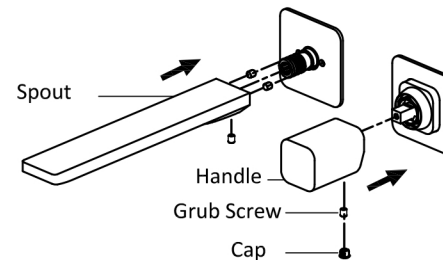
Remove the protective cover, fit the dress plate for the mixer body in place. Apply teflon tape onto spout adapter and screw the adapter into the angle elbow as shown. Then fit the dress plate for spout in place.



**5**

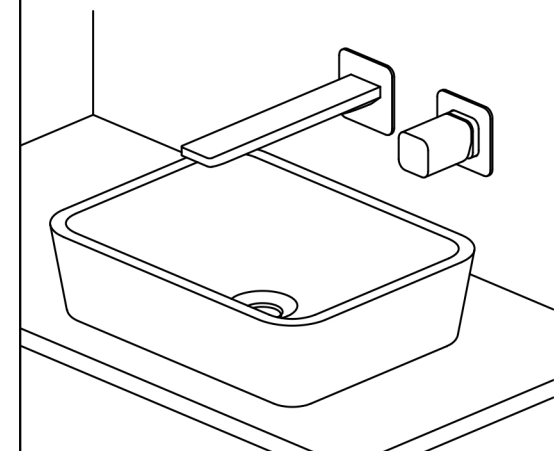
Push the spout onto the spout adapter, align the positioning hole and fasten grub screw. Fit the handle onto cartridge spindle and fasten grub screw, then put cap on.

### TEST & CHECK FOR LEAKS



**6**

Finished work



### Notes

1. Pressure rating: 150-500kpa. If the pressure exceeds or is likely to exceed 550kpa, an approved pressure limiting device must be installed.
2. Temperature rating: 1-75°C. If the water temperature exceeds 55°C, an approved tempering valve must be fitted.
3. Flush out all pipes prior to installation.
4. Installation should comply with Australia standard AS/NZS3500 or relevant local authority requirements.

### Maintenance and Care

1. All products should be cleaned with mild detergent or soapy water by using a soft cloth or dampened sponge.
2. Dry with a soft cloth after each use and clean regularly.
3. Do not use any chemical or abrasive cleaners.