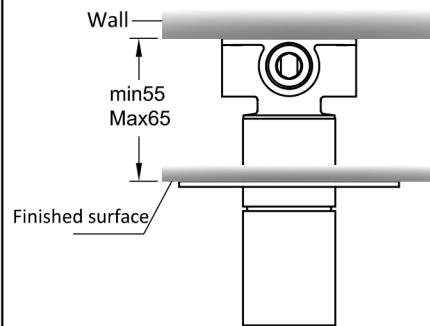
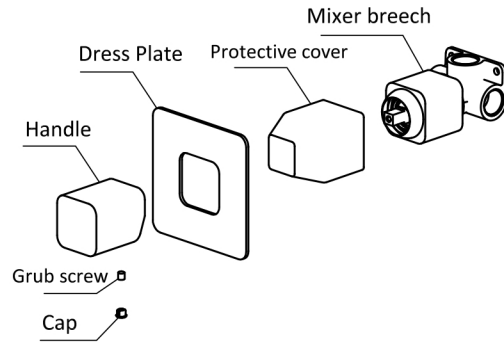
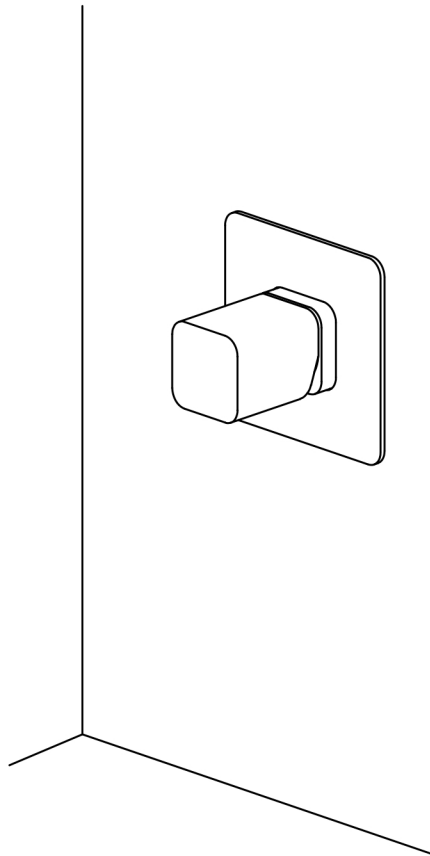


# Installation Guide

## Bath/Shower Mixer- FWCU8303

WATERWARE

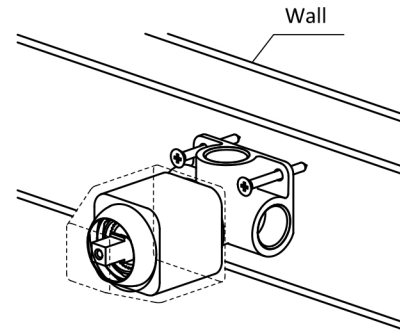
### Finished work



Total adjustment range measured from wall to finished surface is 55mm to 65mm.

**1**

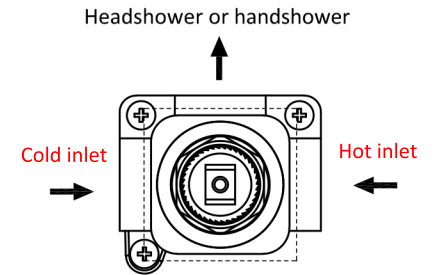
Mount the Mixer body in place, using screws provided. Ensure the mixer body is level.



**2**

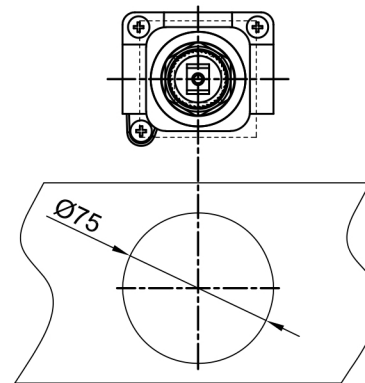
Connect hot and cold water supplies as shown.

**Test and check for leaks**



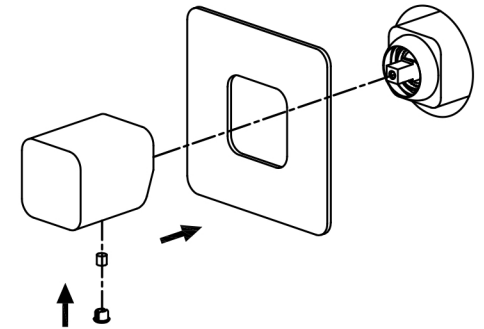
**3**

Cut a 75mm diameter hole in the finished wall surface as shown.



**4**

Remove the protective cover, fit the dress plate for the mixer body in place. Fit the handle onto cartridge spindle and fasten grub screw, then put cap on.



### Notes

1. Pressure rating: 150-500kpa. If the pressure exceeds or is likely to exceed 550kpa, an approved pressure limiting device must be installed.
2. Temperature rating: 1-75°C. If the water temperature exceeds 55°C, an approved tempering valve must be fitted.
3. Flush out all pipes prior to installation.
4. Installation should comply with Australia standard AS/NZS3500 or relevant local authority requirements.

### Maintenance and Care

1. All products should be cleaned with mild detergent or soapy water by using a soft cloth or dampened sponge.
2. Dry with a soft cloth after each use and clean regularly.
3. Do not use any chemical or abrasive cleaners.