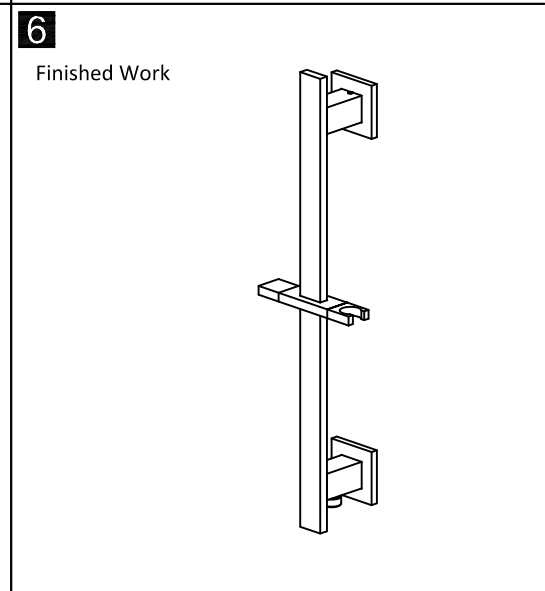
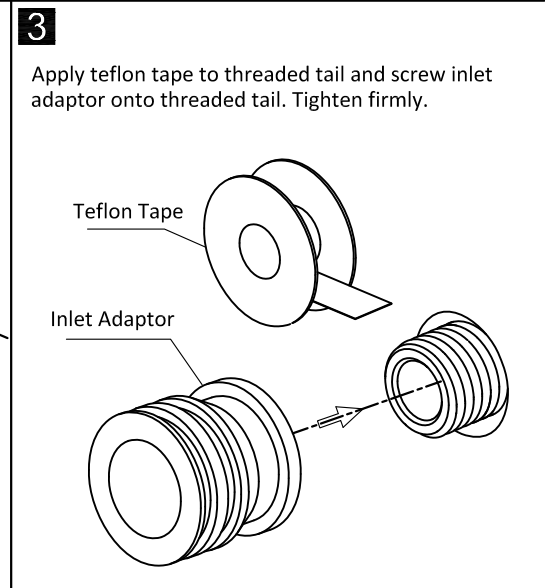
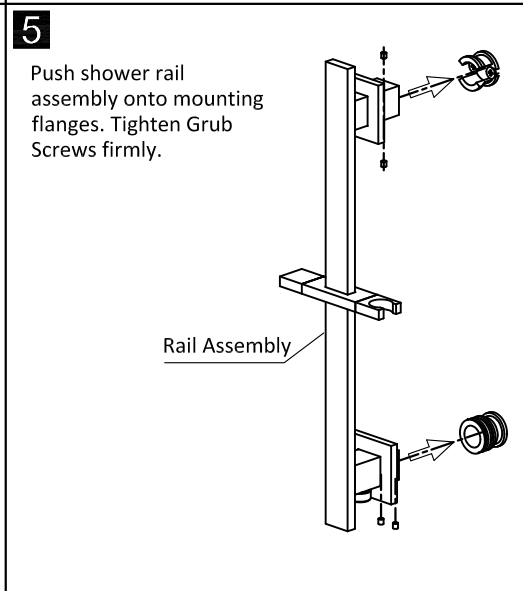
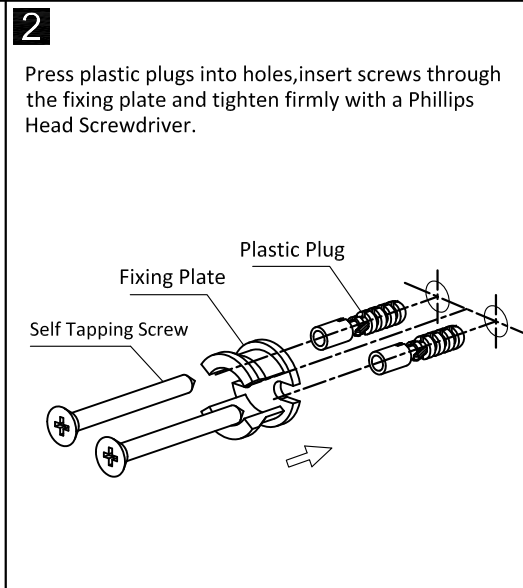
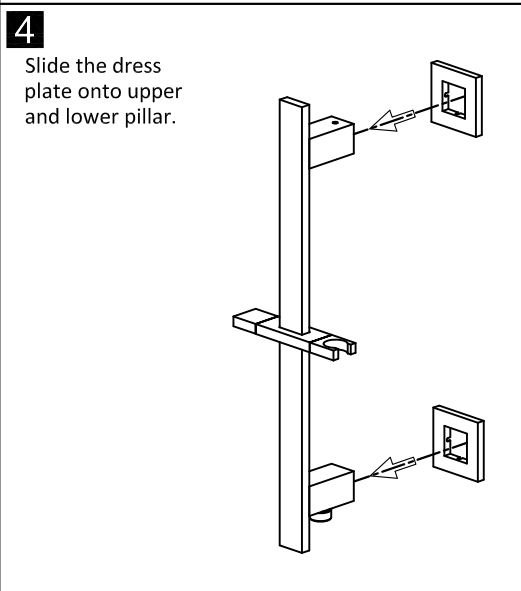
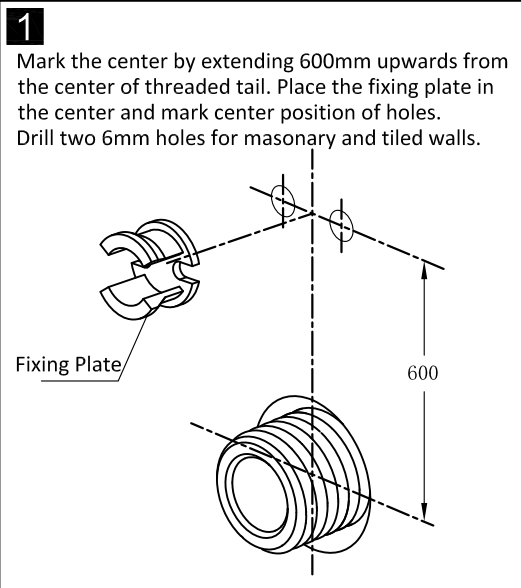
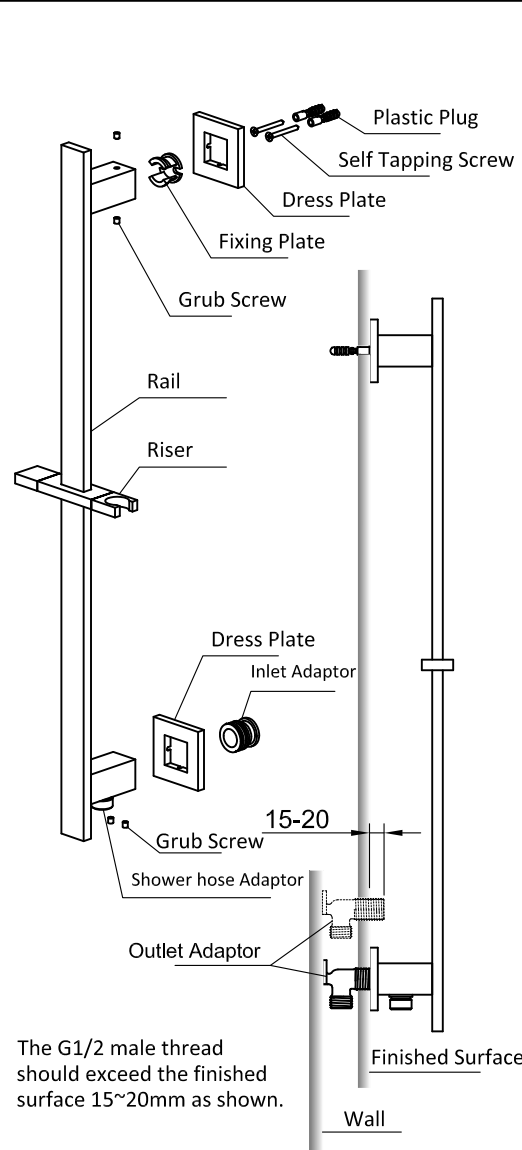


# Installation Guide

## Slide Shower-FWCU9507



### Notes

1. Pressure rating: 150-500kpa. If the pressure exceeds or is likely to exceed 550kpa, an approved pressure limiting device must be installed.
2. Temperature rating: 1-75°C. If the water temperature exceeds 55°C, an approved tempering valve must be fitted.
3. Flush out all pipes prior to installation.
4. Installation should comply with Australia standard AS/NZS3500 or relevant local authority requirements.

### Maintenance and Care

1. All products should be cleaned with mild detergent or soapy water by using a soft cloth or dampened sponge.
2. Dry with a soft cloth after each use and clean regularly.
3. Do not use any chemical or abrasive cleaners.