

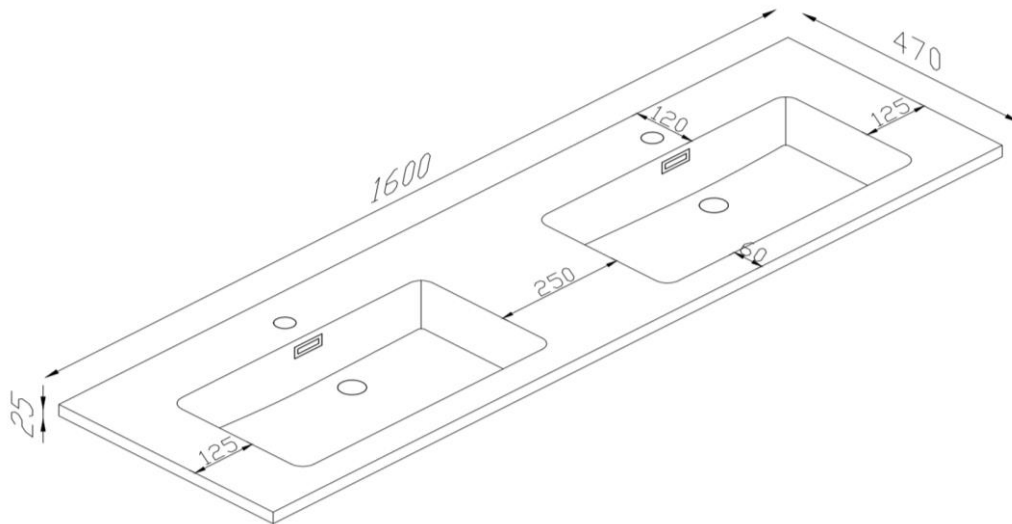
## Kzoao 1600mm Honed Dual Bowl Lexus Top



KZTL1600DA

Kzoao 1600mm Honed Dual Bowl Lexus Top Matte White

Kzoao Lexus stone resin dual basin top  
 Undrilled so can be installed with deck mounted or wall mounted tapware  
 In a honed matte white finish  
 1600 x 470 x 25mm  
 100mm basin depth  
 Made from a solid homogeneous composite material which is dimensionally accurate, inert, non toxic, durable and repairable.



### CARE AND USE

#### Matte Stone Resin Basins and Baths

The matte finish on these products should be regularly wiped clean with non scouring, neutral wash solutions or a mild abrasive as required. For severe scratching use wet and dry sand papers beginning with 1000 grit or 800 grit if required. Rub only very lightly with plenty of water to avoid scratching.

### LIMITED PRODUCT WARRANTIES

To be read in conjunction with and subject to all terms and conditions contained in the Waterware 'Producer Statement' available on-line (<http://www.waterware.co.nz/media-downloads>) From date of purchase, Waterware Services warrants products from the following categories to be free from manufacturing defect subject to exclusions (if applicable):

Category	Domestic Installations	Commercial Installations	Exclusions	Wels
Basins	5 years parts and labour	1 years parts and labour	None	Not required