

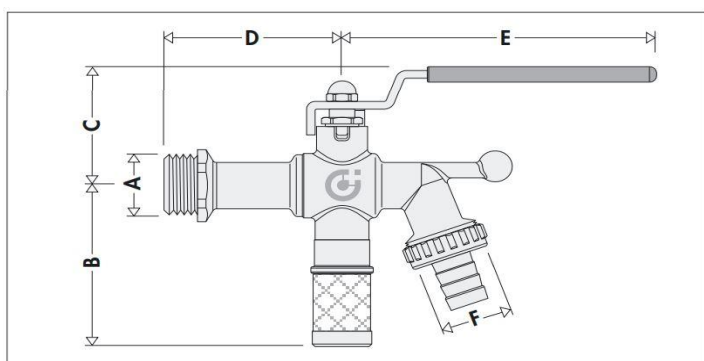
AFV603450

Caleffi Frost Protection Garden Tap



Technical Specification

- Body: brass EN 12165 CW617N, chrome plated
- Ball: brass EN 12164 CW614N, chrome plated
- Ball control stem: brass EN 12164 CW614N, chrome plated
- Seal elements: EPDM
- Control lever: stainless steel
- Lever fixing nut: stainless steel
- Medium: water
- Max. working pressure: 10 bar
- Ambient temperature range: -30–90°C
- Opening temperature: 3°C
- Closing temperature: 4°C
- Accuracy: ±1°C
- Connections: - 1/2" M x 3/4" M



Code	A	B	C	D	E	F	Weight (kg)
603450	1/2"	63	47	66	100	3/4"	0,450

Application

The Caleffi Frost Protection Garden Tap is used in plumbing systems to provide a safety function and is installed mostly outside the plant room.

Warranty

[Download the latest warranty statement](#)

Features

The anti-freeze safety device prevents ice build-up in domestic water circuits, avoiding possible damage to water storages and pipes in hydraulic, solar and irrigation systems. When the minimum ambient operating temperature is reached, it automatically opens so that a minimum quantity of water may flow toward the drain, enabling a small continuous inflow of water; this prevents water from freezing inside the pipe. When the ambient temperature increases or in the event of contact with warmer water, the opposite action occurs, causing the device to shut off and circuit normal operating conditions to be restored. A particular product has been developed by combining the freeze protection device with a garden tap, ball-type, specifically constructed for these installations.