

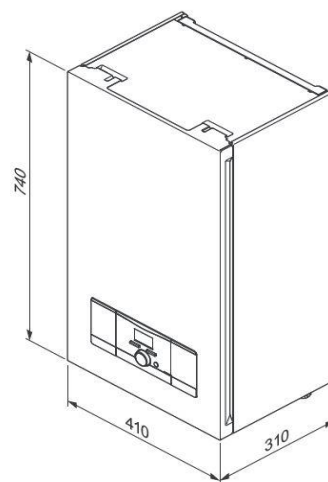
## EBV28

Vaillant eloBlock Boiler 28kW 3 phase



### Technical Specification

- Operating pressure, max: 300kPa
- Expansion vessel capacity: 8L
- Flow/return heating connections: G 3/4
- Heating adjustment range: 25 to 85°C
- Domestic hot water adjustment range (with external cylinder): 35 to 70°C
- Safety overheat cut-off device: 95°C
- Nominal volume flow (at  $\Delta T = 10\text{ K}$ ): 2,408L/h
- Pump remaining feed head (at  $\Delta T = 10^\circ\text{C}$ ): 11kPa
- Number of immersion heaters (pcs x kW): 4 x 7kW
- Electrical connection: 3 x 230 V/400V + N + PE, 50Hz
- Protection class: IP40
- Heating output: 28kW
- Power consumption, max: 3 x 43A
- Circuit stage: 2.3kW
- Nominal current rating for the fuse: 50A



### Application

The Vaillant eloBlock Boiler 28kW 3 phase is used in heating systems to generate mechanical hot water and is installed mostly in plant rooms.

### Warranty

[Download the latest warranty statement](#)

### Features

Premium brand 3 phase boiler including circulation pump, expansion vessel and safety valve. For central heating and indirect domestic hot water systems. Suitable for use as a standalone heat source or in cascades up to 8 appliances or as an electric backup for HP hybrid systems. Compatible with the Vaillant VRC700 controller enabling temperature compensation, cascade and hybrid control. Flexible 7 - 28kW stepped output. Wall mounted, indoor installations only. Compact design with dimensions only 410mm wide x 315mm deep and 27.0kg

Made in Germany