

Extractable Kitchen Mixer



FWK3093BS

Muse Extractable Kitchen Mixer Brushed Stainless

The Muse mixer is a thoughtful design that reflects elements of ergonomic ease with its angled mixing barrel and easy grip handle design. Manufactured in stainless steel, with an extractable head on a flexible swivel ball connection and dual spray button control, it is a nice addition to a busy kitchen.

Brushed stainless finish

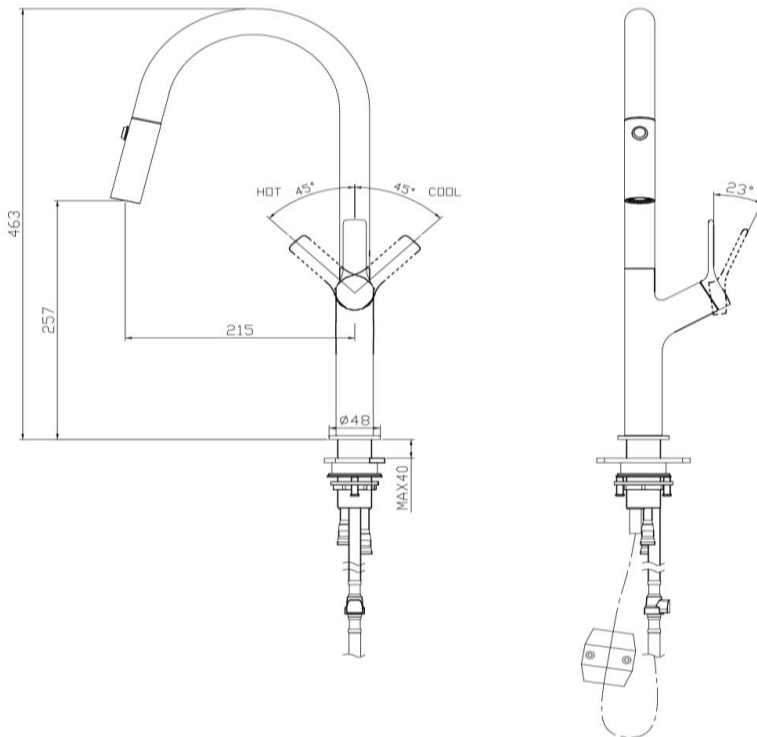
463mm overall height x 215mm reach

Mains pressure only

Recommended working pressure 200 - 500kPa (balanced)

Ceramic disc cartridge

35mm hole cut out size required for installation



CARE AND USE

Tapware

All finishes are smooth, abrasion resistant, corrosion resistant, fade-proof and easy to clean. All finishes are super hard wearing surfaces that won't chip, peel or tarnish with normal use. All surfaces should be regularly wiped clean with non scouring, neutral wash solutions.

LIMITED PRODUCT WARRANTIES

To be read in conjunction with and subject to all terms and conditions contained in the Waterware 'Producer Statement' available on-line (<http://www.waterware.co.nz/media-downloads>) From date of purchase, Waterware Services warrants products from the following categories to be free from manufacturing defect subject to exclusions (if applicable):

| Category | Domestic Installations | Commercial Installations | Exclusions | Wells |
|--|---|--------------------------|-----------------------|-----------------|
| Tapware 10 year conditional warranty | 5 years parts and labour, 6-10 years parts only | 1 year parts and labour | Handshowers and Hoses | 5 Star 4.5L/min |