

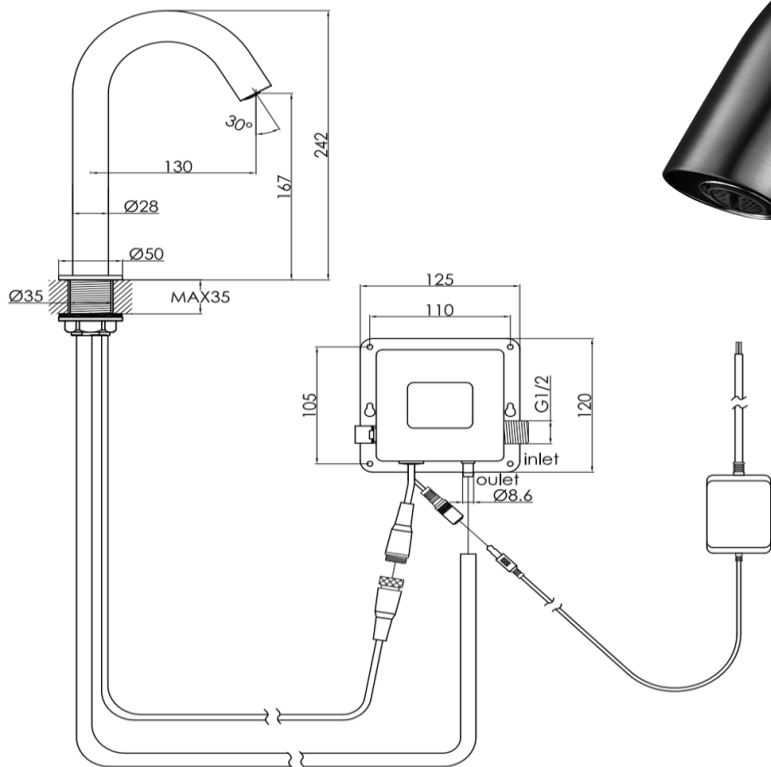
Deck Mounted Automatic Tap with Sensor



FWLUX95GM

Luxe Deck Mounted Automatic Tap with Sensor Gun Metal

- Hands free infrared sensor activated
- Available in wall mount or deck mounted options
- Automatic shut-off water saving flow control
- Improves water and energy efficiency
- Easy to use
- Hygienic and reduces risk of cross contamination
- Mains and battery powered options included
- Mains pressure only
- Must be installed with a point-of-use tempering valve, TV521312AU available at www.waterware.co.nz



CARE AND USE

Tapware

All finishes are smooth, abrasion resistant, corrosion resistant, fade-proof and easy to clean. All finishes are super hard wearing surfaces that won't chip, peel or tarnish with normal use. All surfaces should be regularly wiped clean with non scouring, neutral wash solutions.

LIMITED PRODUCT WARRANTIES

To be read in conjunction with and subject to all terms and conditions contained in the Waterware 'Producer Statement' available on-line (<http://www.waterware.co.nz/media-downloads>) From date of purchase, Waterware Services warrants products from the following categories to be free from manufacturing defect subject to exclusions (if applicable):

Category	Domestic Installations	Commercial Installations	Exclusions	Wells
Sensor Tapware	5 years parts and labour	5 years parts and labour	Batteries	6 Star 4.9L/min