

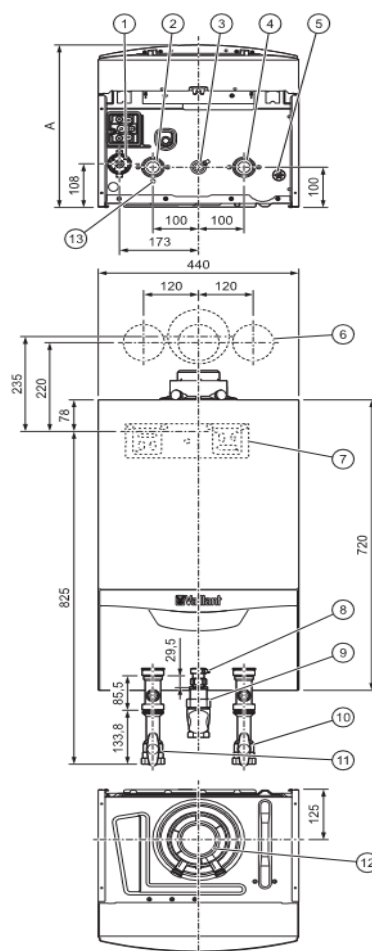
GBV60L

Vaillant EcoTec Boiler 60kW LPG



Technical Specification

- Maximum heating flow temperature: 75°C
- Range for the heating flow temperature control 30-80°C
- Maximum permissible pressure 4.0 bar
- Safety discharge of expansion relief valve 4.0 bar
- Nominal water flow ($\Delta T = 20 \text{ K}$) 2.500 l/h
- Approximate value for the condensate volume 6.9 l/h
- Effective output range (P) at 50/30°C 12.2 ... 63.5 kW
- Effective output range (P) at 80/60 °C 11.0 ... 58.7 kW
- Maximum heat input – heating (Q max.) 60.0 kW
- Minimum heat input – heating (Q min.) 11.3 kW



Application

The Vaillant EcoTec Boiler 60kW LPG is used in heating systems to generate mechanical hot water and is installed mostly in plant rooms.

Warranty

[Download the latest warranty statement](#)

Features

- Premium brand high efficiency condensing LPG boiler
- For central heating and or an indirect domestic hot water system
- Wall mounted, indoor
- 800mm high x 480mm wide x 450mm deep
- Room sealed balanced flue
- Made in Germany