

# HPVP16

Vaillant aroTHERM Plus Heat Pump 16kW



## Technical Specification

Width 1,100mm, Height 1,565mm, Depth 450mm

Weight: 210kg

Heating water temp min/max: 20 to 75°C

Refrigerant: type R290

Nominal heat output: 14.3kW (A7/W35)

Nominal cooling output: 10.8kW (A25/W7)

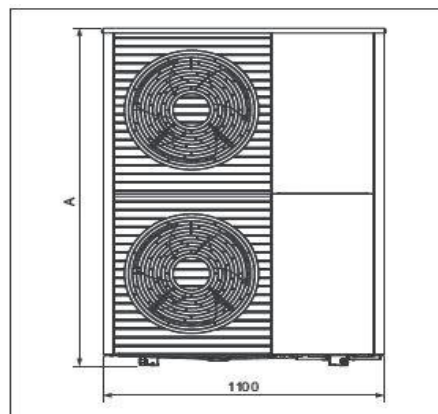
COP Cooling: 3.1:1 (7-12 @ 25°C), 2.9:1 (7-12 @ 30°C)

COP UF: 5.2:1 (35-30 @ 7°C), 3.9:1 (45-40 @ 7°C)

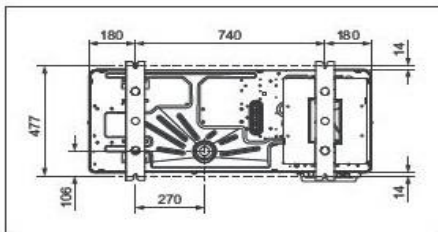
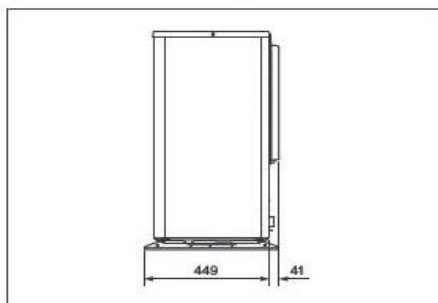
COP Rads: 3.1:1 (55-47 @ 7°C), 2.2:1 (65-57 @ 7°C)

COP DHW: 2.2:1 (65-57 @ 7°C), 2.8:1 (65-57 @ 20°C)

Sound power: EN 12102, EN 14511 LWA, A7/W35 61 dB(A)



Product	A
VWL 155/6 ...	1565



## Warranty

[Download the latest warranty statement](#)

## Features

Discover a future-proof solution today that is both powerful and environmentally friendly. Vaillant products are world leading in heating, cooling and renewables, with their simple device operation, low noise operation and high efficiency - you can enjoy worry-free comfort in your home.

Setting new standards in the heating market has been a Vaillant tradition for years. Now they are leveraging their expertise to help protect the climate – by introducing the natural refrigerant R290 for their heat pump product range. It has clear advantages over alternative refrigerants: approx. 75% less filling quantity is needed, it has low global warming potential (GWP) which is a comparative value that indicates the greenhouse effect of a green house gas.

The new aroTHERM Plus uses the natural refrigerant, R290 to achieve higher flow temperatures of up to 75°C. Suitable for all applications, this air source heat pump can use existing radiators and operates down to -25°C.

It also provides significant product benefits for customers, such as a high flow temperature of 75°C, which makes the solution perfect for use during refurbishments. It is one of our first products to use R290 – more will follow in the future.