

Kzoao 1600mm Mirror Cabinet



KZMG1600WH

Kzoao 1600mm Mirror Cabinet Gloss White

1600mm wide x 120mm deep x 700mm high mirror cabinet

Dual glass shelves behind each door

Door hinges are strategically positioned to avoid line of sight

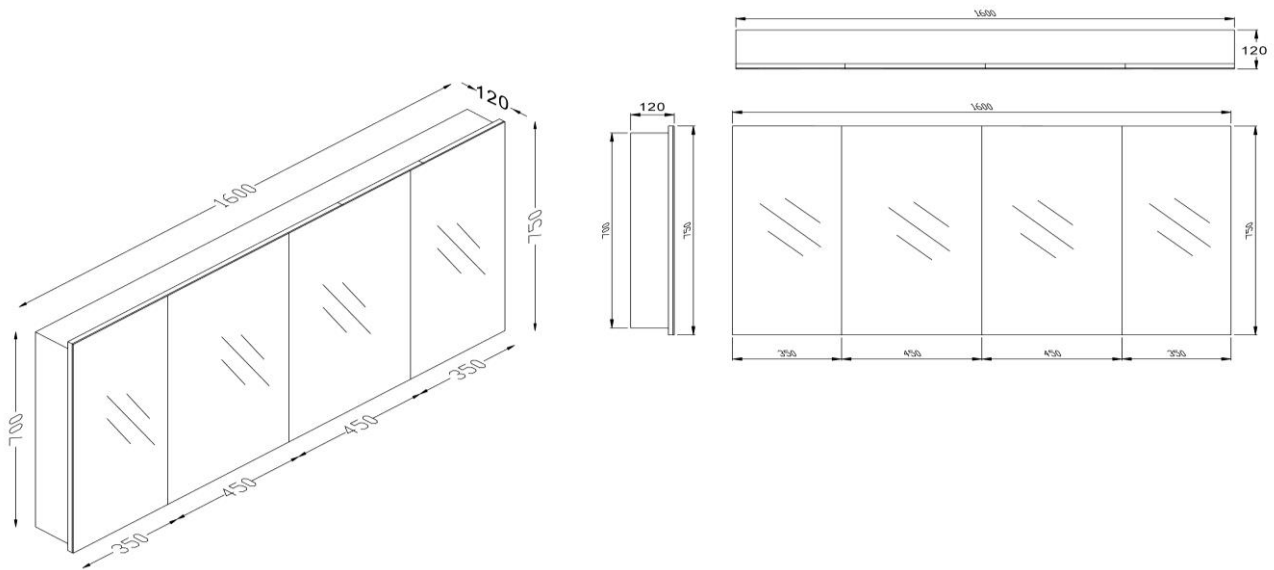
Designed to be mounted onto the wall, can be recessed into the wall but confirm with tiler and/or builder first

Soft close, quick release hinges to assist with the cabinets installation



Glossy white painted finish over E-ZERO MDF (a low

formaldehyde emitting MDF product of less than 0.5mg/L)



CARE AND USE

Mirrors

For best results use a moistened microfibre cloth to remove dry dirt or grime, followed by cleaning with a dry microfibre cloth. Avoid using alkaline (ammonia) or acid (vinegar) based products you not only risk damaging the silvered backing of the mirror, but also tend to leave behind streaks and smears.

LIMITED PRODUCT WARRANTIES

To be read in conjunction with and subject to all terms and conditions contained in the Waterware 'Producer Statement' available on-line (<http://www.waterware.co.nz/media-downloads>) From date of purchase, Waterware Services warrants products from the following categories to be free from manufacturing defect subject to exclusions (if applicable):

Category	Domestic Installations	Commercial Installations	Exclusions	Wels
Vanity Cabinets & furniture	5 years parts and labour	1 years parts and labour	None	Not required