

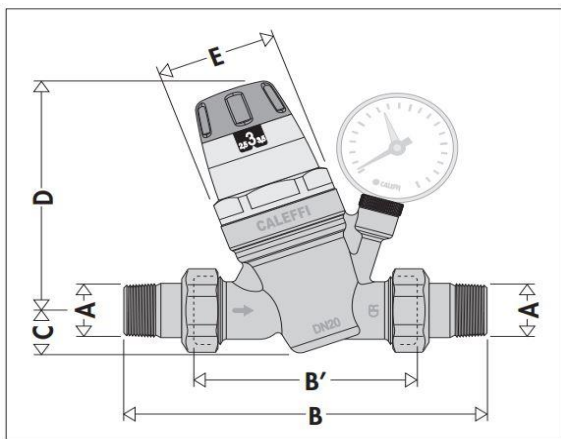
PR535051

Caleffi 535 Series Pressure Reducing Valve 20mm



Technical Specification

Body: Dezincification resistant alloy brass EN 12165 CW617N
 Control stem, Strainer: stainless steel stainless steel
 Moving parts: dezincification resistant alloy EN 12164 CW602N
 Diaphragm, Seals: NBR
 Max. upstream pressure: 25 bar
 Downstream pressure setting range: 1–6 bar
 Factory setting: 3 bar
 Max. working temperature: 60°C
 Strainer mesh size: 0.51 mm



Code	A	B	B'	C	D	E	Mass (kg)
535040/1	1/2"	140	76*	20,5	112	Ø 54	0,92
535050/1	3/4"	160	90*	20,5	112	Ø 54	1,06



Application

The Caleffi 535 Series Pressure Reducing Valve 20mm is used in plumbing systems to control water pressure and is installed mostly in plant rooms.

Warranty

[Download the latest warranty statement](#)

Features

Heavy duty 535 series pressure reducing valve with gauge and 20mm unions
 For use on high demand hot water systems with a flow rate up to 40L/min @2m/s
 Maximum upstream pressure 2500kPa
 Union connections with fibre washer seal
 Downstream pressure range adjustable 100 - 600kPa
 Max. operating temperature 60°C
 Body in dezincification resistant brass
 Strainer mesh size 0.51