

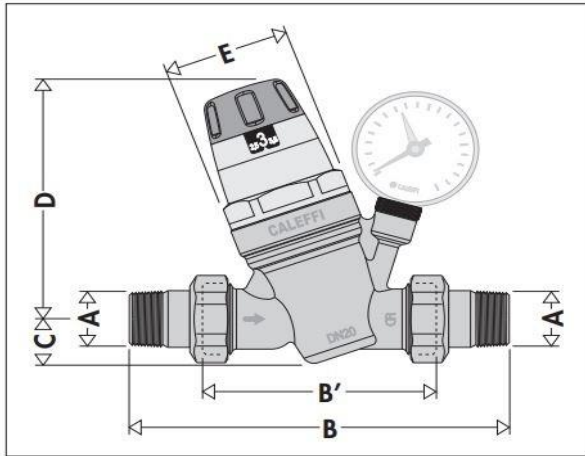
PR535091

Caleffi 535 Series Pressure Reducing Valve 50mm



Technical Specification

- Body: Dezincification resistant alloy brass EN 12165 CW617N
- Control stem, Strainer: stainless steel
- Moving parts: dezincification resistant alloy EN 12164 CW602N
- Diaphragm, Seals: NBR
- Max. upstream pressure: 25 bar
- Downstream pressure setting range: 1–6 bar
- Factory setting: 3 bar
- Max. working temperature: 60°C
- Strainer mesh size: 0.51 mm



Code	A	B	B'	C	D	E	Mass (kg)
535090/1	2"	250	130	40	178	Ø 73	4,3



Application

The Caleffi 535 Series Pressure Reducing Valve 50mm is used in plumbing systems to control water pressure and is installed mostly in plant rooms.

Warranty

[Download the latest warranty statement](#)

Features

- Heavy duty 535 series pressure reducing valve with gauge and 50mm unions
- For use on high demand hot water systems with a flow rate up to 233L/min @2m/s
- Maximum upstream pressure 2500kPa
- Union connections with fibre washer seal
- Downstream pressure range adjustable 100 - 600kPa
- Max. operating temperature 60°C
- Body in dezincification resistant brass
- Strainer mesh size 0.51