

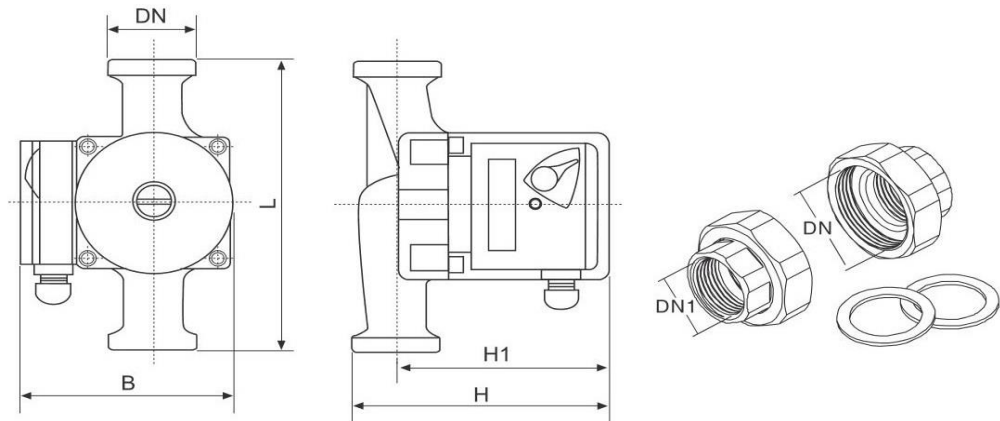
# PUSPC32C

Swiss Pump Co. 32mm Cast Iron Circulating Pump



## Technical Specification

- Speeds: 3
- Power: 135w, 190w, 245w, 230v @ 50hz
- Peak flow: 2.0m<sup>3</sup>/h, 4.8m<sup>3</sup>/h, 10m<sup>3</sup>/h
- Peak head: 5m, 7m, 8m
- Pump body: Cast iron
- Impeller: Plastic
- Shaft: Ceramic
- Bearings: Ceramic
- Liquid temperature: 2°C to 110°C
- Ambient temperature: up to 40°C
- Max. working pressure: 10bar



DN	POSITION	P1 (w)	IN (A)	SIZE (mm)				G.W (KG)	UNIONS	
				H	H1	L	B		DN	DN1
G2"	3	245	1.1	160	130	180	150	6	G2"	G1½" or G1¼"
	2	190	0.85							
	1	135	0.6							

## Application

The Swiss Pump Co. 32mm Cast Iron Circulating Pump is used in plumbing systems to control water flow rate or balancing and is installed mostly in plant rooms.

## Warranty

[Download the latest warranty statement](#)

## Features

SCP is Circulating pump research and developed by scientific research personnel of our company.

SCP pump has following merits: no leakage, low noise, environmental protection, beautiful appearance, convenient installation, run responsible and so on. It is designed special for heating system and it can be used to supply water and add pressure for mansions of city, villa of suburb, house, to match with industrial equipment, to supply water in cycle for cooling air-condition, boiler and solar energy, supply hot water and keep warm in cycle.

Pump casing with suction and delivery connections with the same diameter and on the same axis(in-line).

Cast iron body recirculating pump with 32mm union connections.