

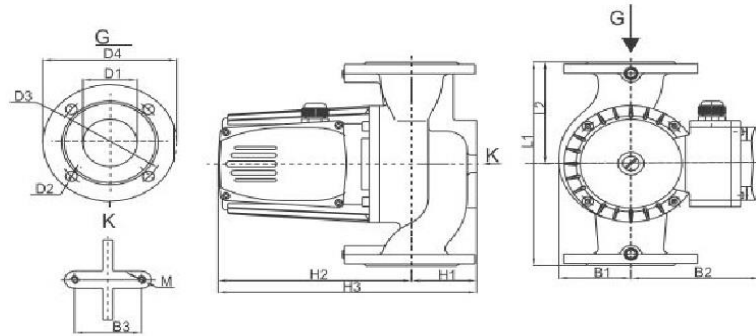
# PUSPC65C

Swiss Pump Co. 65mm Cast Iron Circulating Pump



## Technical Specification

- Speeds: 1
- Power: 1300w @ 50hz
- Peak flow: 30m<sup>3</sup>/h
- Peak head: 12.5m
- Pump body: Cast iron
- Impeller: Plastic
- Shaft: Ceramic
- Bearings: Ceramic
- Liquid temperature: 2°C to 110°C
- Ambient temperature: up to 40°C
- Max. working pressure: 10bar



Dimension													
H1	H2	H3	L1	L2	B1	B2	B3	B4	D1	D2	D3	D4	M
78	257	335	300	150	93	154	90	76	65	14	130	160	M10

## Application

The Swiss Pump Co. 65mm Cast Iron Circulating Pump is used in plumbing systems to control water flow rate or balancing and is installed mostly in plant rooms.

## Warranty

[Download the latest warranty statement](#)

## Features

SCP is Circulating pump research and developed by scientific research personnel of our company.

SCP pump has following merits: no leakage, low noise, environmental protection, beautiful appearance, convenient installation, run responsible and so on. It is designed special for heating system and it can be used to supply water and add pressure for mansions of city, villa of suburb, house, to match with industrial equipment, to supply water in cycle for cooling air-condition, boiler and solar energy, supply hot water and keep warm in cycle.

Pump casing with suction and delivery connections with the same diameter and on the same axis(in-line).

Cast iron body recirculating pump with 40mm flanged connections.