

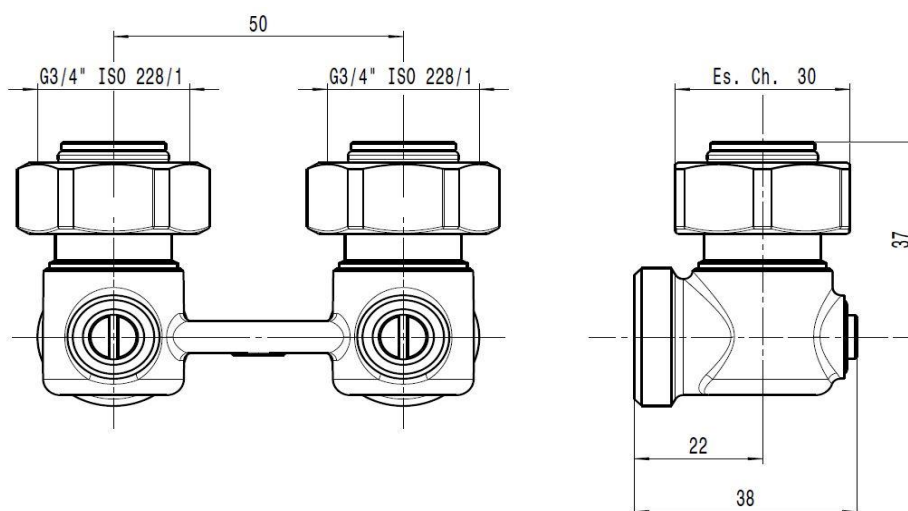
# RAVK6AC

6 Port Bottom Entry Radiator Valve Set Angle (copper)



## Technical Specification

- Body: brass EN 12165 CW617N, chrome-plated
- Obturator control stem: stainless steel
- Hydraulic seals: EPDM
- Medium: water, glycol solutions
- Max percentage of glycol: 30%
- Max differential pressure with control fitted: 1bar
- Maximum working pressure: 10bar
- Medium working temperature range: 5–100°C
- Adjustment scale: \*–5
- Adjustment temperature range: 7–28°C
- Frost protection cut-in: 7°C
- Max. ambient temperature: 50°C



## Application

The 6 Port Bottom Entry Radiator Valve Set Angle (copper) is used in plumbing, heating & cooling systems to control water temperature and is installed mostly at point of delivery.

## Warranty

[Download the latest warranty statement](#)

## Features

Caleffi chrome 6-port bottom entry angle valve kit containing valve, 1/2" copper pipe connectors, split wall flange and thermostatic head. These valve blocks are designed to be used with a thermostatic insert fitted to the radiator.

These valves are equipped with a special tailpiece with hydraulic rubber seal which allows quick and safe connection to the radiator without the aid of any other means of sealing.