

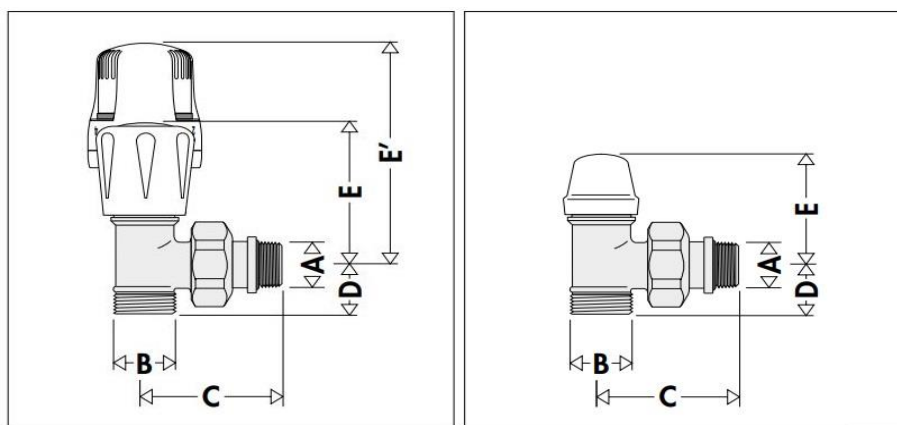
RV338040C

Caleffi Copper Pipe Angle Radiator Valve Set



Technical Specification

- Body: brass EN 12165 CW617N, chrome-plated
- Obturator control stem: stainless steel
- Hydraulic seals: EPDM
- Control knob and protective cap: ABS (RAL 9010)
- Medium: water, glycol solutions
- Max percentage of glycol: 30 %
- Max differential pressure with control fitted: 1 bar
- Maximum working pressure: 10 bar
- Medium working temperature range: 5–100 °C
- Adjustment scale: *–5
- Adjustment temperature range: 7–28 °C
- Frost protection cut-in: 7 °C
- Max. ambient temperature: 50 °C
- Length of capillary pipe 201 series and code 199000: 2m
- Room temperature indicator 202 series: 16–26 °C



Code	A	B	C	Code	A	B	C
338402	1/2"	23 p.1,5	53,5	342402	1/2"	23 p.1,5	53,5

Warranty

[Download the latest warranty statement](#)

Features

Kit contains polished chrome radiator and lock-shield valves, copper pipe connectors and thermostatic head. The following series of convertible radiator valves are typically used shutting off the medium on the terminals of HVAC systems. These particular valves can be converted from manual to thermostatic by simply replacing the control knob with a thermostatic control head. In this way, it is possible to automatically keep the ambient temperature of the room in which they are installed constant at the set value.

These valves are equipped with a special tailpiece with hydraulic rubber seal which allows quick and safe connection to the radiator without the aid of any other means of sealing.