

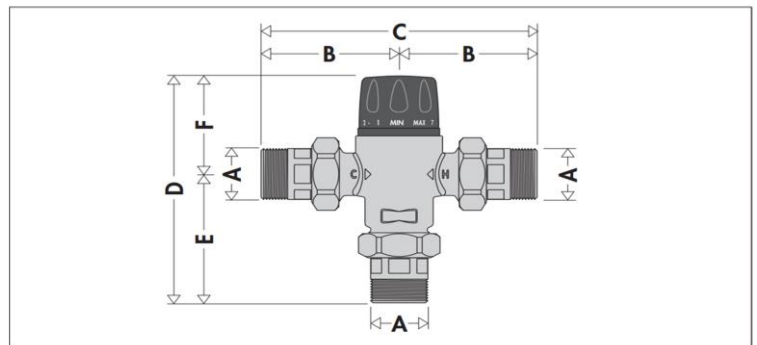
TV523160

Caleffi 5231 25mm Heavy Duty Tempering Valve



Technical Specification

- Body: dezincification resistant alloy: EN 1982 CB752S
- Obturator: PPSG40
- Springs: stainless steel (AISI 302)
- Seal elements: EPDM
- Adjustment range: 35–65°C
- Accuracy: +/- 2°C
- Kv = 92L/min
- Recommended working pressure 100 - 500kPa (balanced)
- Maximum working pressure (static): 14 bar
- Maximum working pressure (dynamic): 5 bar
- Minimum working pressure (dynamic): 0.2 bar
- Maximum inlet pressure ratio (H/C or C/H): 2:1
- Maximum hot water inlet temperature: 90°C
- Minimum hot water inlet temperature: 50°C
- Maximum cold water inlet temperature: 25°C
- Minimum cold water inlet temperature: 5°C
- Minimum temperature differential: 15°C



Code	DN	A	B	C	D	E	F	Mass kgj
523160	25	1"	104,5	209	195,5	109	86,5	2,50

Application

The Caleffi 5231 25mm Heavy Duty Tempering Valve is used in plumbing systems to control water temperature and is installed mostly to feed a bathroom.

Warranty

[Download the latest warranty statement](#)

Features

- Heavy duty 5231 series thermostatic tempering valve with 25mm unions
- For use on high demand hot water systems with a flow rate between 13 and 112L/min
- Union connections with fibre washer seal (without check valves)
- Body in dezincification resistant brass
- Note: A minimum 20kPa dynamic system pressure is required for correct valve function excluding any system losses in pipework etc.