

iStone Anita Stone Resin Top (Not Drilled)



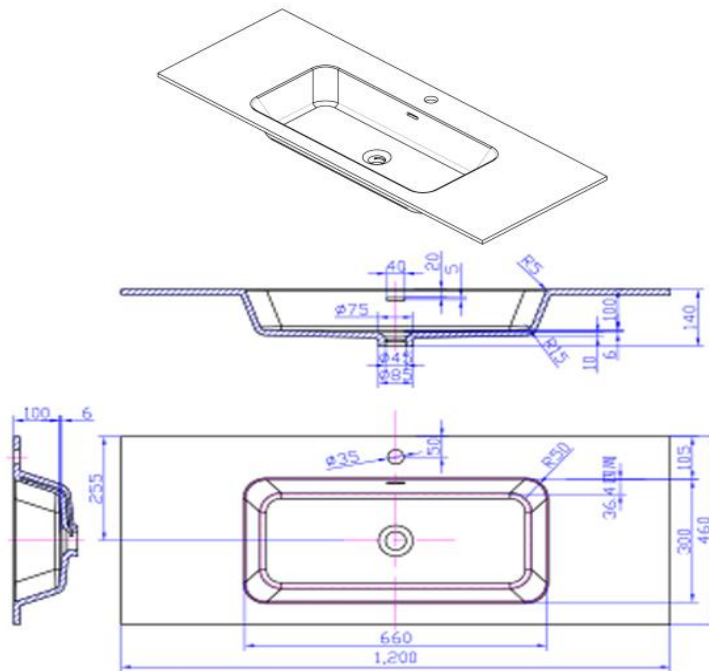
WD38405MWA

iStone 1200 x 460mm Anita Top (Not Drilled) Matte White

Not drilled

1200mm wide x 460mm deep x 12mm thick

Made from a solid homogeneous composite material which is dimensionally accurate, inert, non toxic, durable and repairable



CARE AND USE

Matte stone resin basins and baths

The matte finish on these products should be regularly wiped clean with non scouring, neutral wash solutions or a mild abrasive as required. For severe scratching use wet and dry sand papers beginning with 1000 grit or 800 grit if required. Rub only very lightly with plenty of water to avoid scratching.

LIMITED PRODUCT WARRANTIES

To be read in conjunction with and subject to all terms and conditions contained in the Waterware 'Producer Statement' available on-line (<http://www.waterware.co.nz/media-downloads>) From date of purchase, Waterware Services warrants products from the following categories to be free from manufacturing defect subject to exclusions (if applicable):

Category	Domestic Installations	Commercial Installations	Exclusions	Wells
Basins	5 years parts and labour	1 years parts and labour	None	Not required