

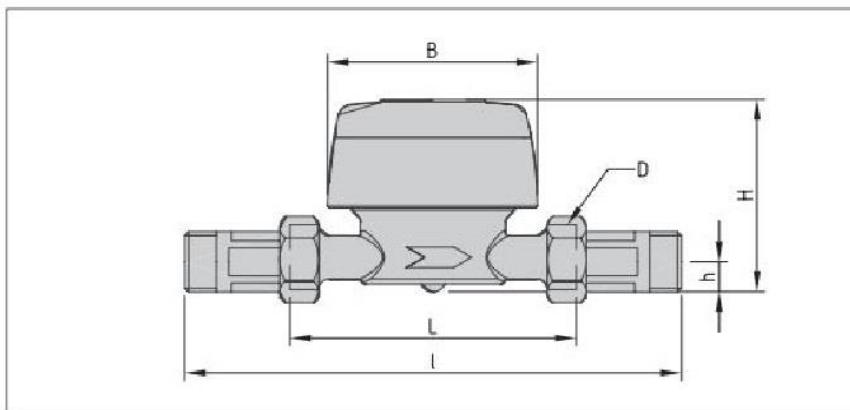
WMBUS20SC

BMETERS 20mm Cold MBUS Ready Water Meter



Technical Specification

- Max Flow Rate Q_{max} : 5m³/h
- Nominal Flow Rate Q_n : 2.5m³/h
- Transitional flow rate $\pm 2\%$: 200l/h
- Min flow rate $\pm 5\%$: 50l/h
- Min reading: 0.05l
- Max reading: 99.999m³
- Max admissible pressure MAP: 16bar



Calibro Size	mm	in	20 (3/4")
L	mm		130
l	mm		228
H	mm		73
h	mm		18
B	mm		85
d	mm		1"
Pesi Weight	con raccordi with unions	kg	0,85
	senza raccordi without unions	kg	0,60

Application

The BMETERS 20mm Cold MBUS Ready Water Meter is used in plumbing systems to measure water quantity and is installed mostly in plant rooms.

Warranty

[Download the latest warranty statement](#)

Features

20mm MBUS ready, single jet, dry dial, direct reading cold water up to 30°C

- Mbus output via Optical interface
- Available with Wired or Wireless Mbus output using WMBUSWLESSS867 867MHZ wireless or Wired
- Magnetic transmission
- Brass Body
- Complete with 20mm connection tails