

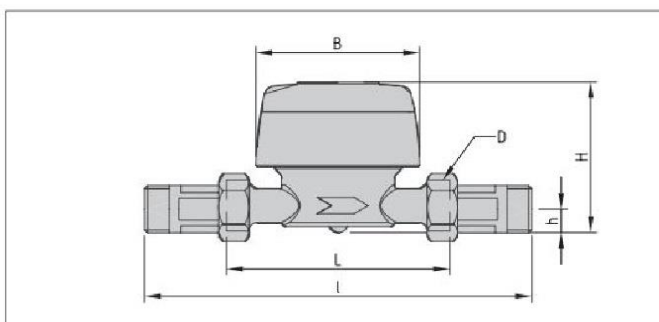


Technical Specification

- 20mm Single jet, dry dial, pulse emitting
- Cold water up to 30 Deg C
- Qmax 5m³/h, Qnominal 2.5m³/h, Qmin 50L/h
- Minimum reading 0.05L
- Max pressure 16bar
- Cable length: 3.0m
- Max voltage: 24
- Pulse frequency: 1L per pulse



Max Flow Rate Qmax m³/h 5
 Nominal Flow Rate Qn m³/h 2.5
 Transitional flow rate ±2% l/h 200
 Min flow rate ±5% l/h 50
 Min reading l 0.05
 Max reading m³ 99.999
 Max admissible pressure MAP bar 16



Calibro Size	mm	20 (3/4")	
L	mm	130	
l	mm	228	
H	mm	73	
h	mm	18	
B	mm	85	
d	mm	1"	
Peso Weight	con raccordi with unions	kg	0,85
	senza raccordi without unions	kg	0,60

Application

The BMETERS 20mm Cold Pulse Emitter is used in plumbing systems to measure water quantity and is installed mostly in plant rooms.

Warranty

[Download the latest warranty statement](#)

Features

- 20mm Single jet, dry dial, pulse emitting
- Cold water up to 30 C
- Qmax 5m³/h, Qnominal 2.5m³/h, Qmin 50L/h
- Minimum reading 0.05L
- Max pressure 16bar
- Cable length: 3.0m
- Max voltage: 2