

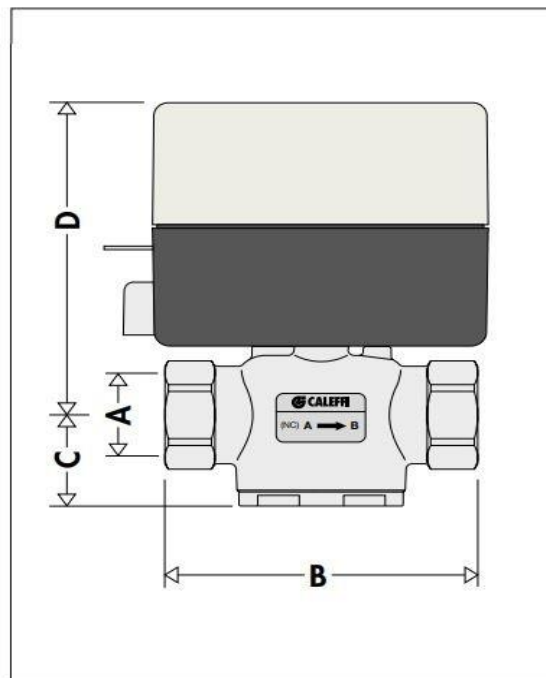
ZV642062

Caleffi 642 Series 2-Way Zone Valve 25mm



Technical Specification

- body: brass, EN 12165 CW617N
- paddle stem: stainless steel
- paddle: EPDM
- Medium: water, glycol solutions
- Max. percentage of glycol: 30%
- Temperature range: 0 – 90°C
- Peak temperature of fluid: 110°C
- Max. working pressure: 16 bar
- Synchronous motor: Normally closed
- Supply: 230 V - 50/60 Hz
- Power consumption: 6,5 W; 7 VA
- Opening time: 70 – 75 s
- Closing time: 5 – 7 s
- Microswitch contacts rating: 0,8 A
- Protection class: IP 20
- Max. ambient temperature: 40°C
- Length of power cable: 5x0,75 mm² - 95 cm



Code	A	B	C	D	Weight (kg)
642062	1"	88	24	94	1,10

Warranty

[Download the latest warranty statement](#)

Features

The zone valves allow the automatic shut-off of circuits in heating and air conditioning systems. The 642 (two-way) and 643 (three-way) zone valves series are equipped with a spring return actuator with a synchronous motor and auxiliary microswitch. They are therefore extremely versatile and suitable for use in both heating and air conditioning systems. The actuator is fitted with a mechanism for rapidly clipping it onto the body of the valve which also makes it easy to remove.