

CODE

PREMIUM HEATING

Code Premium Heating range has been designed in New Zealand by industry professionals to represent outstanding quality and a timeless design to compliment all bathroom styles.

PRODUCT INTRODUCTION



Tube shape: Round or Square

Sizes available: 500mm, 650mm, 850mm
(Outer edge)

Finishes available:



Chrome



Brushed Stainless



Matte Black



Gunmetal



Brushed Brass



Voltage/ Wattage: All 12 Volt

500mm, 9.3 Watts (10 Bar max per transformer)

650mm, 12 Watts (7 Bars max per transformer)

850mm, 15.6 Watts (6 Bars max per transformer)

Wiring: Universal, cable can enter left or right.
Requires transformer SKU: TLTR (**Not included**)

Standards: Manufactured and tested to AS/
NZS 60335.2.43

Warranty: 5 Years

Safety Information

Please follow the basic safety instructions when you use our electric heated towel rail products.

READ THESE INSTRUCTIONS CAREFULLY.
Keep them handy for future reference.

- This appliance is used for warming and drying towels, therefore it is hot to touch. Young children should be supervised when the product is working to ensure that they do not touch the appliance.
- The appliance will feel hotter to touch during Summer periods because of the rise in ambient temperature. The insulation effect of towels will cause the operating temperature to increase.
- The appliance should be installed so that switches and other controls cannot be touched by a person in the bath or shower.
- This appliance is **ONLY** used for warming and drying towels, **DO NOT** use it for any other purpose.
- To avoid danger this product **MUST NOT** be used to carry towels or any other articles that have been in contact with oil, petroleum based products or dry cleaning fluids.
- Make sure the voltage complies with the specification on the rating label, or elsewhere in these instructions.
- For your safety and others, make sure the electrical work is done by an authorized person according to AS/NZS3000:2000 Wiring Rules and Regulations.

1



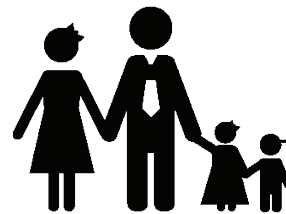
- **DO NOT** immerse in any liquid.
- **DO NOT** allow the power cord to make contact with any hot surface when it is working.

2



- Check the product thoroughly **BEFORE** installation. If there is a problem bring it the attention of the wholesaler immediately.

3



- **WARNING:** The bottom rail of this product **MUST** be installed at least 600mm above the floor in order to avoid risk of harm to young children.

Care Instructions

NOTE: Damage caused by improper use or negligent cleaning is not covered by warranty – refer to the warranty terms & conditions



Use a soft/ clean cloth moistened with warm soapy water. Fine scratches in the Chrome (only) finish can be removed with Autosol or Brasso paste, both of which are available from supermarkets and car care outlets throughout New Zealand.

Fingerprints can be removed by using a dry, soft microfibre cloth

DO NOT clean with any corrosive or abrasive cleaning agents including Steel wool/ scourers.

DO NOT use any cleaning agents containing acids or Bleach.

Warranty Conditions

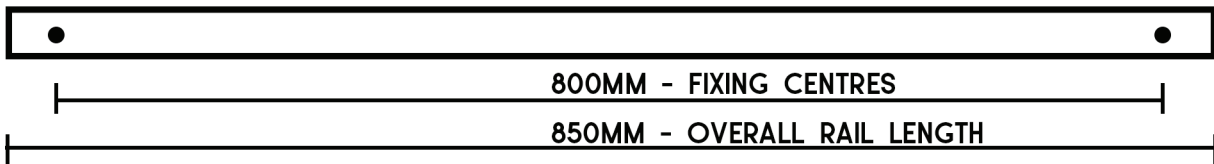
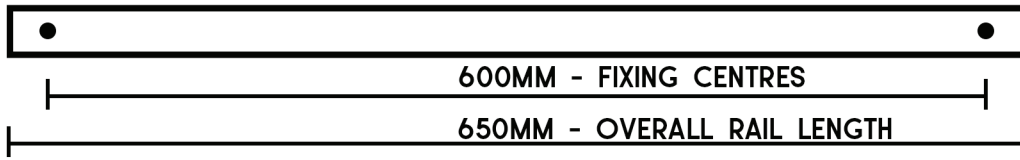
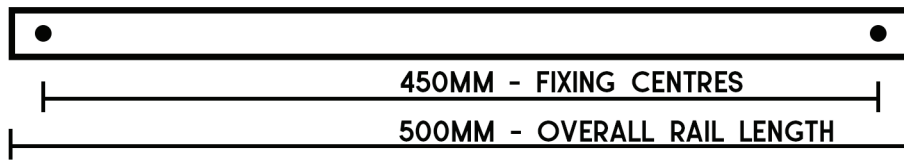
This warranty will apply only under all of the following conditions:

- The Item has been installed by a qualified tradesmen.
- The item has been installed for and subjected to domestic residential only.
- Failure is due to a fault in the manufacture of the product.
- Proof of purchase (Including the date of purchase) is provided.

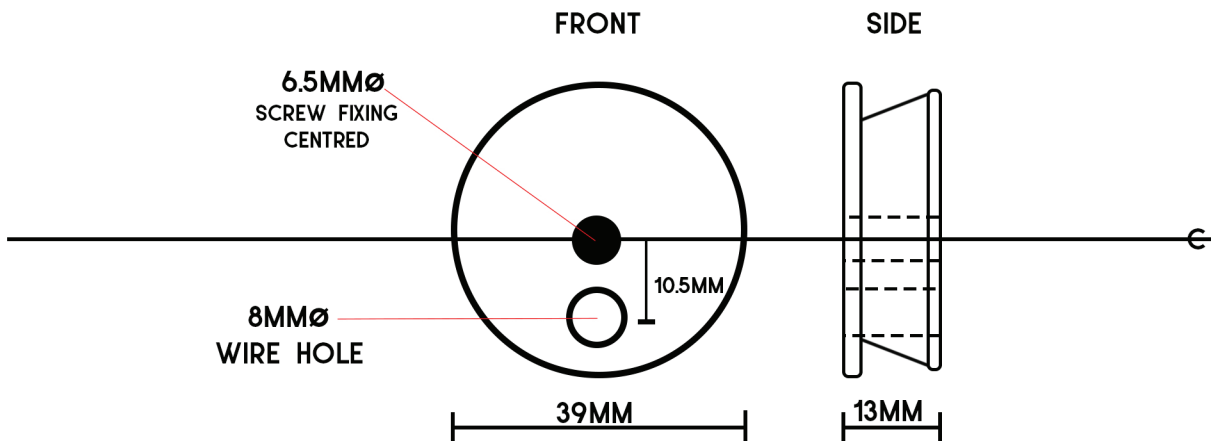
This warranty **does not include** faults caused by:

- Unsuitable or improper use.
- Incorrect installation not in accordance with the instructions provided.
- Installation or part installation by the purchaser or any other person other than a qualified tradesman.
- Normal wear and tear
- Inadequate or complete lack of maintenance
- Chemical, electrochemical or electrical influences.

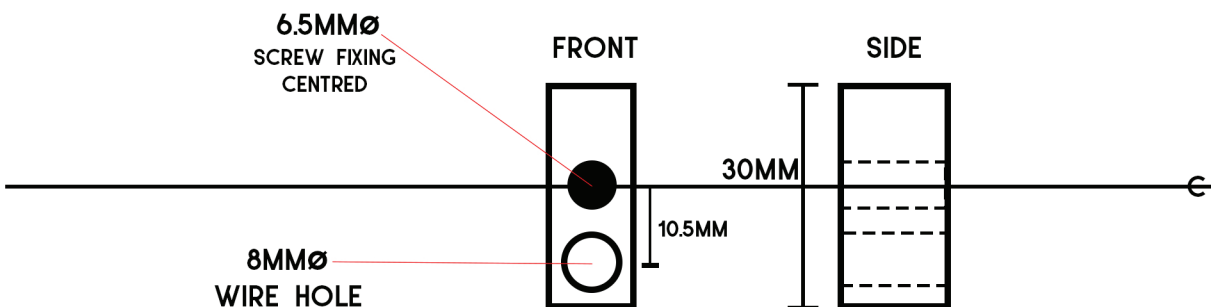
SINGLE RAIL SIZING ROUND OR SQUARE



ROUND



SQUARE



Installation Guide

NOTE: Any electrical work must be carried out by a qualified trades person only.



This warranty does not cover products purchased as an ex-display without being fully checked and tested for sale by the manufacturer.

Step 1: Mark mounting holes according to dimension of rails remembering to also allocate 12 volt electrical supply in the wall at the mounting points on either left hand or right hand.

Step 2: Feed the cable coming from the rail through the hole in the wall bracket and then through the hole in the wall.

Step 3: Mount the x2 wall brackets into the wall by screwing through into timber nogs set at the correct height for the rails. If fixing to a tiled wall, plastic expanders can be used if timber is not present behind. Use only Stainless Steel screws provided.

Step 4: Put the ends of the rails over the wall bracket and tighten the mounting screws with allen key.

