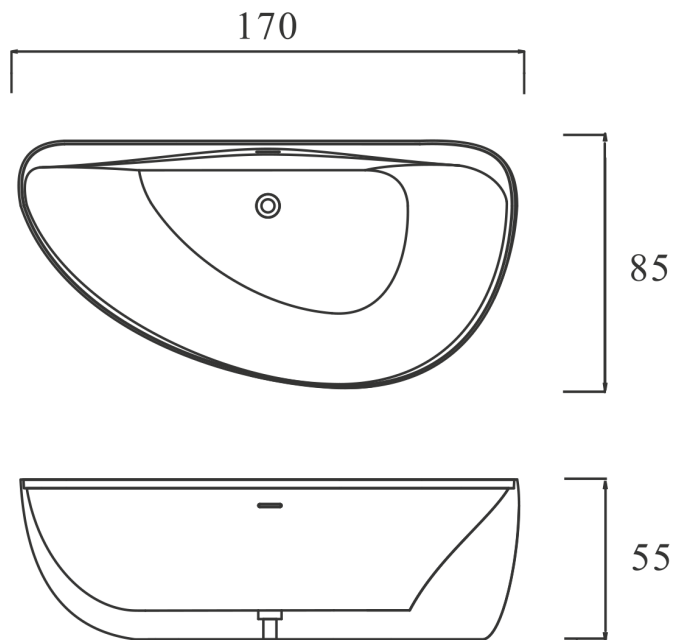


WD65151AS



### Drilling and Repairs

If drilling holes for taps and alike, use a fine toothed hole saw at less than 1000rpm. Scratches or cigarette burns can be improved with 2000 grade wet & dry sandpaper then repolished with Brasso or similar mild polishes. Always polish in a circular movement.

### WARRANTY

If any material defect arising from the manufacturing process is found Waterware Services Ltd will undertake to repair or replace it (at its own discretion). This undertaking will not apply if:

1. The defect is brought to Waterware's attention later than 5 years from the date of manufacture.
  2. Failure by any person to follow installation instructions or installation in an environment outside the recommended limitations or relevant NZ and or Australian Standards and local plumbing codes. No installation should proceed without installation instructions and claims instructions were missing are not accepted as a means of avoiding this condition.
  3. Evidence cannot be produced which confirms that the relevant item was purchased from a known customer of Waterware Services Ltd.
  4. Repair work is undertaken without prior arrangement with Waterware Services Ltd.
  5. Normal care and maintenance requirements are not adhered to.
- Waterware Services Ltd. shall in no way be liable for any loss, damage (direct, indirect or consequential), cost or expense suffered or incurred by the purchaser. Obligations accepted by Waterware Products Ltd. are.....

..... in addition to all other rights and remedies had by the Purchaser in law in respect of the valve and does not limit the right the Consumer may have under the Consumers Guarantee Act 1993.

..... subject to the exceptions and conditions previously listed. All expressed or implied conditions, statements or warranties as to the quality or fitness on any purpose of a tap or valve or otherwise are hereby expressly excluded to the fullest extent permitted by law except under conditions and warrants which cannot be legally excluded by law and which are intended in the contract for the supply of the valve by the Trade Practises and any other Act of Law.

# WATERWARE

PO Box 58 776 Botany, Manukau  
ph 09 273 9191  
info@waterware.co.nz  
waterware.co.nz

## Free Standing Stone Bath Installation Instructions

### Description

This bath is a free standing design made from cast stone resin.

Support: Monocoque bath and chassis  
Waste Outlet: Non overflow style clik-clak pop up plug and waste included  
Recommended Waste Trap: Hepvo horizontal trap kit (code: BPBAHEPVO) or similar (not included)

### Installation Recommendations

The following recommendations are a general guide and do not consider specific site variations that might require a skilled tradesman to overcome. Installations must comply with appropriate local and national building codes. Please observe any specific manufacturers instructions included with the 'Hepworth' Hepvo horizontal waste if utilizing this solution. Waterware will not be responsible for damage caused by lack of care or negligence.

### Receiving Your Bath

Transit damage suspected but not reported will not be accepted as a manufacturing fault if signed for as being in good order. Before accepting delivery of your bath insist it be unpacked and remove all plastic covering, checking carefully for any damages. It is recommended the bath be repackaged or adequately protected throughout the build or renovation process to avoid accidental damage.

### Site Preparation

1. Common practise is to completely water proof the immediate floor and wall surfaces surrounding the bath prior to installation. Also ensure the floor is perfectly flat and level to avoid having uneven gaps around the bath during final installation.

### Installation Simulation

1. Given the baths weight a trial fit is not always practical however simulating the installation using a spare wall will help pre determine the waste position and ensure trouble free final installation.
2. Position the bath in the planned position relative to a wall and mark a reference centre point on the floor through the bath waste opening.
3. Securely chock one end of the bath clear from the ground so you have sufficient space to trial fit the horizontal waste and flexible pipe. Consider the most convenient waste pipe position to allow connection when the bath is both in the raised and lowered position - then clearly mark.

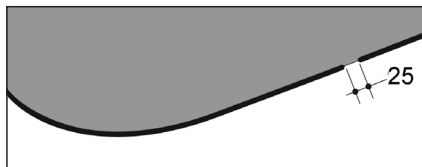
Please observe any specific manufacturers instructions included with the 'Hepworth'

*Hepvo* horizontal waste including the minimum bending radius limitations.

- Lower the bath off its chocks and draw a line around its perimeter. Slide the bath clear and accurately record all of the relevant dimensions so they can be transferred to the bathroom proper.

### Final Fitting

- Transfer all of the previously recorded dimensions to the finished bathroom.
- Connect the flexible waste to the waste pipe ready for connection to the horizontal trap.
- Move the bath into position and re-chock one end as per your simulation.
- Connect the horizontal trap to the bath waste and ensure all connections are secure.
- Connect the flexible waste to the horizontal trap and lower the bath into its final position.
- Use a level to ensure correct alignment in the horizontal plane and make any necessary adjustments using an appropriate non compressible shim material.
- Fill and drain the bath to ensure all connections are water tight and the bath completely drains. Claims for non-draining baths will not be considered a manufacturing defect after enclosing or tiling has been done.
- Chock the bath again to allow enough clearance to to apply a bead of bathroom



specific silicone to the floor staying inside the pencil line leaving a 25mm gap in an inconspicuous position to allow draining in case of a leak developing. Lower the bath back into position and let it rest for a minimum of 24 hours to allow the silicone to fully cure.

- Apply a finished bead of silicon around the floor joints ensuring the 25mm drain gap is retained.

### Care and Use

- To preserve the polished surface, after using your bath, clean with soft cloth and warm soapy water to wash away any body oils or soap residue that forms a ring tide mark.
- As a weekly cleaner we recommend warm, soapy water. Do not use powders, pastes, cream cleaners, thinners, window cleaning sprays or dry cleaning liquid, etc.
- Stubborn marks or fine scratches may be polished out with 'Brasso' or similar mild polishes.
- If coloured essentials oils are used, first test that the colour won't stain your bath. Always add oils into a bath full of water. Never pour them into an empty bath.

