

# INSTRUCTION MANUAL

BS01641222

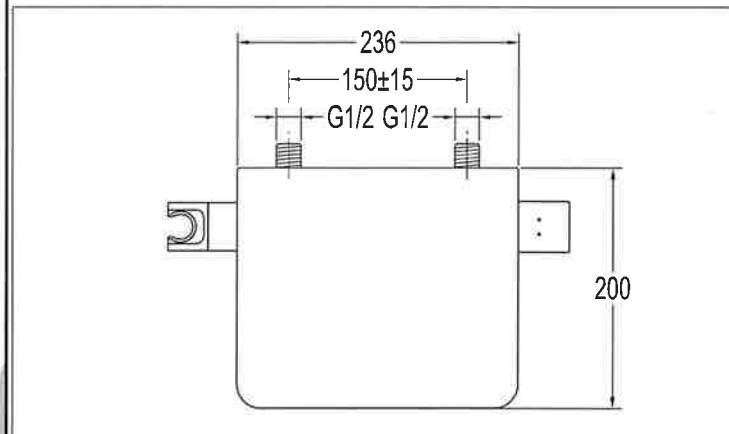
### I Installation Notice

1. Install water supply lines in accordance with this manual.
2. Floor drain should be installed in the location of the faucet.
3. Install the faucet only after the completion of house interior decoration in case paint or other chemicals erode the faucet surface.
4. Clean pipes to get rid of mud, sand or other debris blocked in pipes.
5. Check whether the threads can be matched. Otherwise, too strong force applied to the wrench will damage the faucet.
6. After installation, check all the joints to make sure they are firmly connected. Then keep water flow. Turn on and off repeatedly to ensure there is no leakage around the joints. At this stage, the product is ready for normal use.
7. Keep the manual to the user.

### II Operation Notice

1. The product is used between water pressure 0.05~1.0MPa, water temperature 4~90°C.
2. Do not hang heavy things on the faucet.
3. Make sure the faucet is off when no water comes out of it (especially when nobody resides in the house or during the period of decoration or the absence of water).
4. Always clean the surface of faucet to keep it bright. Attention: Please do not use inappropriate tools such as sharp brushes, rough sponges, scouring pads or corrosive detergent to clean the faucet, and we do not recommend that you use the detergent sold in the market, because its formula is changing frequently. Please clean the faucet by wet cloth and soapy water after each time of usage. Then rinse the soap out with clean water and dry with a soft cotton cloth.
5. When the room temperature drops to below 0°C, take necessary measures (such measures as keeping faucet warm and closing windows) to prevent the faucet from being frozen or even broken (especially when windows kept open for air ventilation while nobody resides in).
6. Please open the cold water and hot water in turn and adjust the temperature before washing or showering. Don't touch the faucet of hot part to avoid scald.
7. Do not disassemble the product unless you are an expert.

### III Installation Dimensions



### IV Installing Steps (As shown in figure 1~14)

1 Prepare and check the following tools.

2 Lay the hot and cold water pipes about 600mm off the floor. Hot water pipe on the left and cold on the right. The distance between two pipes is 150mm. Then run water to get rid of mud, sand and other debris in the pipes.

3 Unscrew two M4 screws and M6 screws with phillips screwdriver. Take out the location-plate and eccentric connectors.

4 Measure the depth of thread with ruler based on the wall face and use a pen to make marks.

5 Measure the length of the screw joint thread by ruler. Make sure the length of thread is less than the depth of screw joint or saw off it from the connector.

6 Wrap the teflon tape around two eccentric connectors.

7 Place two eccentric connectors through the location-plate and screw them into the water connector. Tighten the screw joint with S12 wrench.

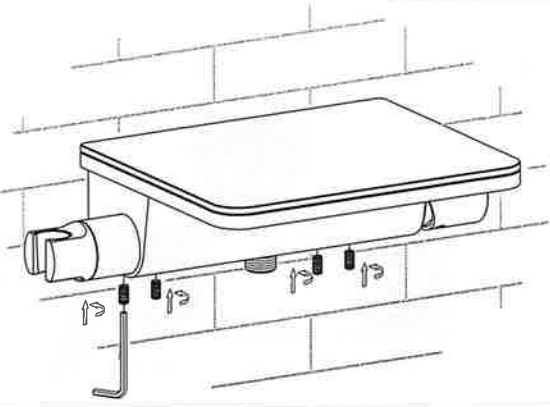
8 Adjust two eccentric connectors to level condition with S12 wrench. Check them with level bar.

9 Tighten the screw joints with S12 wrench.

10 Install the faucet body onto two eccentric connectors.

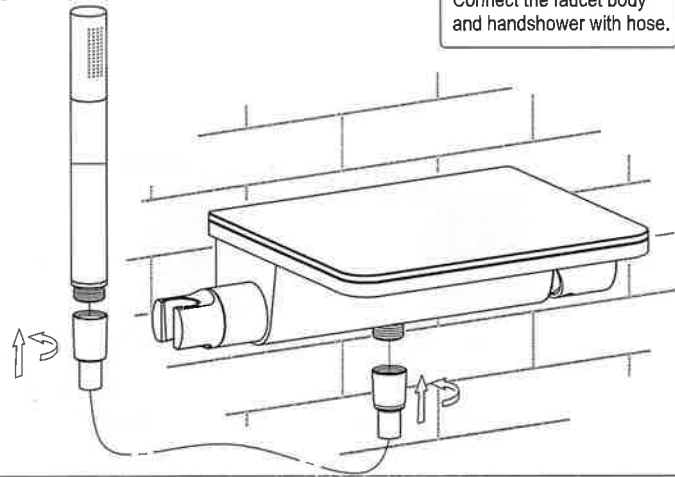
11

Be sure that the faucet body is against the wall and tighten them with M6 screws.



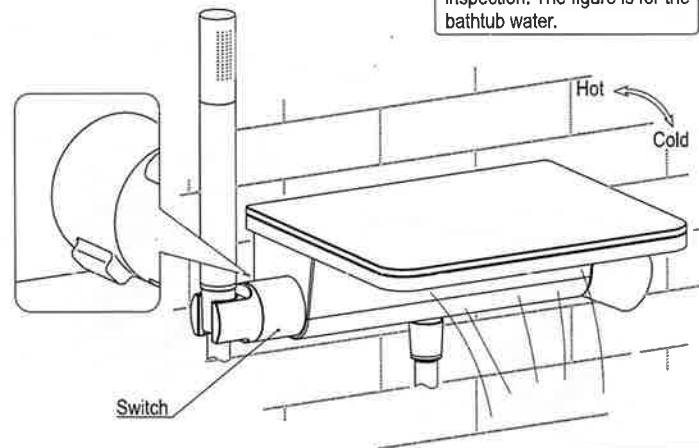
12

Connect the faucet body and handshower with hose.



13

After installation, run water for inspection. The figure is for the bathtub water.



14

Turn this switch and water runs from handshower.

