

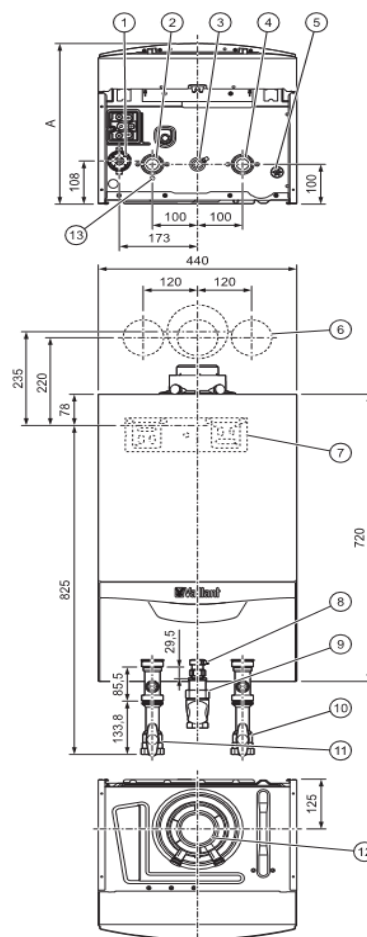
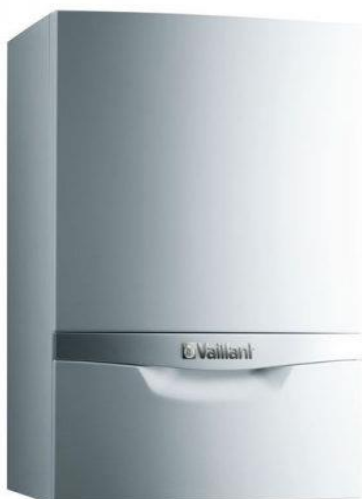
GBV46L

Vaillant EcoTec Boiler 46kW LPG



Technical Specification

- Maximum heating flow temperature: 75°C
- Range for the heating flow temperature control: 30-80°C
- Maximum permissible pressure: 4.0 bar
- Safety discharge of expansion relief valve 4.0 bar
- Nominal water flow ($\Delta T = 20\text{ K}$) 1.900 l/h
- Approximate value for the condensate volume 5.0 l/h
- Effective output range (P) at 50/30°C 8.7 ... 48.0 kW
- Effective output range (P) at 80/60 °C 7.8 ... 44.1 kW
- Maximum heat input – heating (Q max.) 45.2 kW
- Minimum heat input – heating (Q min.) 8.1 kW



Application

The Vaillant EcoTec Boiler 46kW LPG is used in heating systems to generate mechanical hot water and is installed mostly in plant rooms.

Warranty

[Download the latest warranty statement](#)

Features

- Premium brand high efficiency condensing LPG boiler
- For central heating and or an indirect domestic hot water system
- 12.3 - 44.1kW modulating output
- Wall mounted, indoor
- 800mm high x 480mm wide x 450mm deep
- Room sealed balanced flue
- Made in Germany