

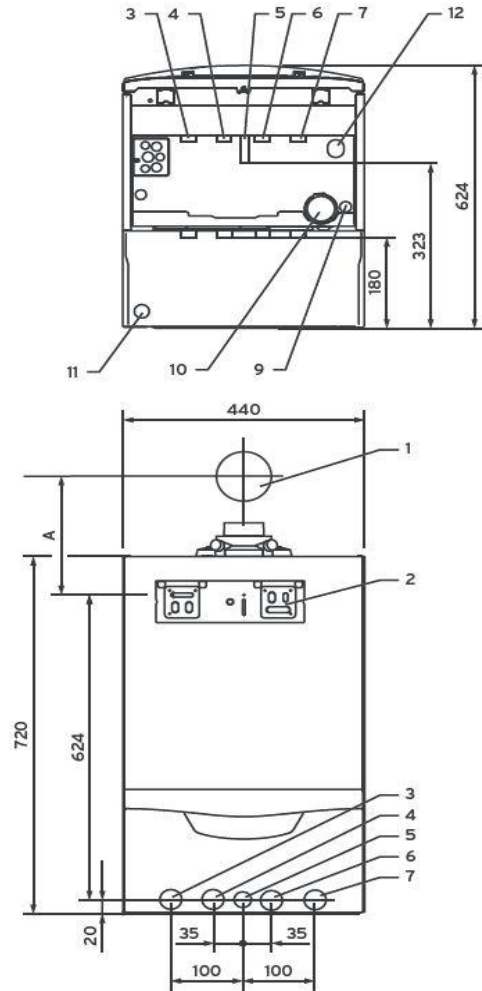
GBVCS37L

Vaillant EcoTec Storage Combi Boiler 37kW LPG



Technical Specification

- CH heat output 80°/60° (kW): 6.4 - 37.6
- DHW Output @ 30°C rise (L): 18.5
- Max. CH temperature (°C): 85
- Max. efficiency (%): 112
- LPG consumption (kg/h): 2.96
- Electrical connection (V/Hz): 230/50
- Electrical consumption min/max (watts): 35/65
- Flue Ø (mm): 60/100
- Expansion vessel capacity (L): 10
- Min. installation clearance top (mm): 165
- Min. installation clearance side (mm): 5
- Min. installation clearance bottom (mm): 180
- Dimensions (mm): 440w x 720h x 634d
- Mounting weight (kg): 51



Application

The Vaillant EcoTec Storage Combi Boiler 37kW LPG is used in heating systems to generate mechanical hot water and is installed mostly in plant rooms.

Warranty

[Download the latest warranty statement](#)

Features

Condensing boilers use advanced combustion technology which scavenges energy found in the flue gas that would otherwise be lost to the atmosphere resulting in running efficiencies up to 112%. The Vaillant ecoTEC condensing boilers from Germany are a premium quality, high performance choice packed with features which result in the most reliable and lowest running cost boiler available today. Storage combi boilers produce DHW for taps and showers on demand for all but the highest hot water requirements.

- Exceptional German build quality
- Whisper quiet
- Weather compensating capability
- High efficiency pump and fan
- Wide operating range
- Extremely low stand-by losses (<2W)

Made in Germany