

Wall Mount Slab Oak Veneer



WD2270F-90A

Wall Mount Slab 900 x 460 x 120mm Oak Veneer

Wall mount slab 900 x 460 x 120mm in an oak veneer finish.

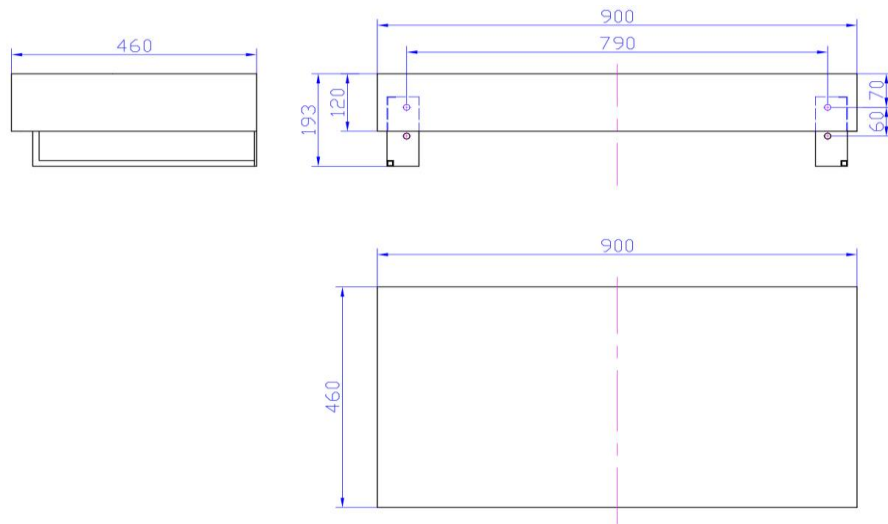
Customisable by material finish and size

Come with no holes drilled and can be used with any of our vessel basins or recessed basins, with deck mounted, or wall mounted tapware

The black powder coated mounting brackets can also be used as hand towel hangers

Perfect for hotel bathrooms or high end residential, where they are installed with customised storage solutions

** Indent item (lead time required) **



CARE AND USE

Bathroom accessories

All finishes are smooth, abrasion resistant, corrosion resistant, fade-proof and easy to clean. All finishes are super hard wearing surfaces that won't chip, peel or tarnish with normal use. All surfaces should be regularly wiped clean with non scouring, neutral wash solutions.

LIMITED PRODUCT WARRANTIES

To be read in conjunction with and subject to all terms and conditions contained in the Waterware 'Producer Statement' available on-line (<http://www.waterware.co.nz/media-downloads>) From date of purchase, Waterware Services warrants products from the following categories to be free from manufacturing defect subject to exclusions (if applicable):

Category	Domestic Installations	Commercial Installations	Exclusions	Wels
Slab Tops	5 years parts and labour	1 years parts and labour	None	Not required