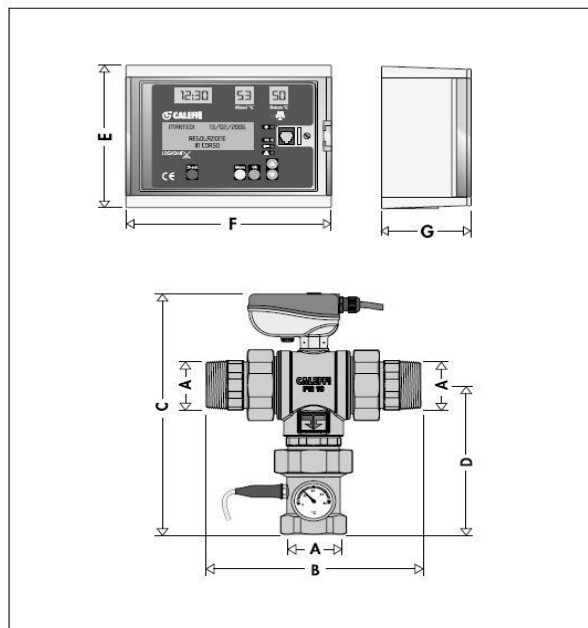




## Technical Specification

- Valve body materials: brass EN 12165 CW617N
- Ball: brass EN 12165 CW614N, chrome plated, POM
- Maximum working pressure (static): 10bar
- Maximum inlet temperature: 100°C
- Actuator: Electric supply: 24V - 50/60 Hz directly from the regulator
- Power consumption: 6 VA
- Protection cover: self-extinguishing V0
- Protection class: IP 65
- Housing: self-extinguishing
- ABS Electric supply: 24V (ac) 50/60 Hz
- Power consumption: 6.5 VA
- Adjustment temperature range: 20–85°C
- Disinfection temperature range: 40–85°C
- Ambient temperature range: 0–50°C
- Protection class: IP 54 (Class II appliance)

### Dimensions



Code	A	B	C	D	E	F	G	Mass (kg)
600054	3/4"	135	216	102,5	145	180	105	2,4
600064	1"	159	237	106,5	145	180	105	3,3
600074	1 1/4"	184	257	113,5	145	180	105	3,7
600084	1 1/2"	232	306	181	145	180	105	9,5
600094	2"	240	311	186	145	180	105	9,7

## Application

The Caleffi 6000 40mm Legiomix is used in plumbing systems to control water temperature and is installed mostly in plant rooms.

## Warranty

[Download the latest warranty statement](#)

## Features

- Electronic 6000 thermostatic tempering valve with 40mm unions.
- For use on high demand centralised hot water systems with a flow rate between 25 and 650L/min ( $\Delta p = 1.5\text{bar}$ )
- Union connections with fibre washer seal (without check valves)
- Temperature range adjustable 20-80°C
- Temperature control +/- 2°C
- Thermostatic Disinfection Programming
- Transformer included
- Hourly flow and return temp data log for previous month
- 24V BMS integration and remote control via Modbus

