

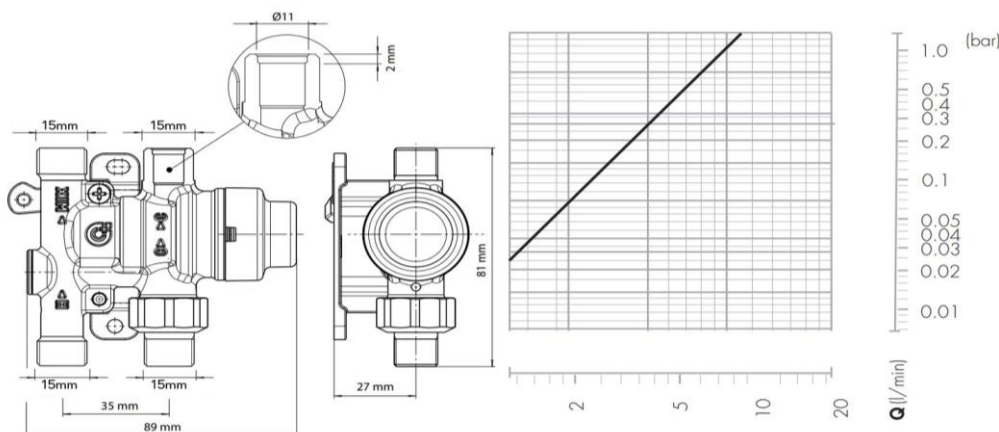
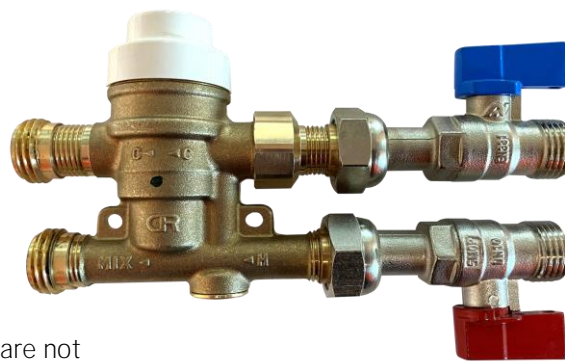
TV521201KIT

Caleffi 521201 15mm Thermostatic Mixing Valve with Isolators



Technical Specification

- 15mm flat face connections
- Temp adjustment range: 30 – 50°C
- Temp control: +/- 2°C
- Max inlet temp: 85°C
- Operating press. range: 20 – 500kPa
- Max. unbalanced pressure differential: 2:1
- Max inlet max inlet pressure: 1000kPa
- Min. flow rate: 1.3L/min
- Material: DZR brass low lead, EN12165 CW724R (isolators are not low lead)
- Minimum difference mixed temp and cold water temperature: 10°C
- Min. operating failsafe temp. differential: 10°C



Application

The Caleffi 521201 15mm Thermostatic Mixing Valve with Isolators is used in plumbing systems to control water temperature and is installed mostly at point of delivery.

Warranty

[Download the latest warranty statement](#)

Features

- Caleffi 521201 15mm thermostatic mixing valve kit
- Designed for point of use application in acute establishments which require maximum protection of the user from excessive water temperatures, e.g., hospitals, resthomes, childcare
- Valve has failsafe feature
- Approval: ASSE 1070