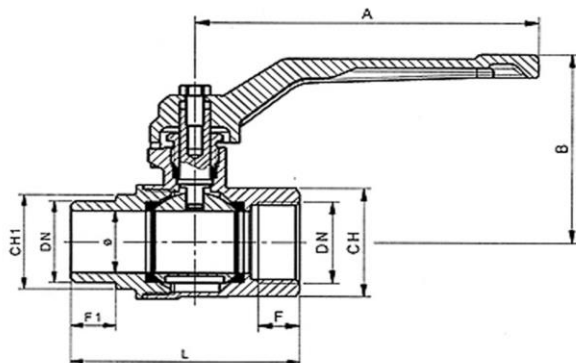




### Technical Specification

Threaded connections: UNI ISO 228/1 (Cylindric)  
 Working temperature: service limit from -20°C to +120°C  
 Maximum working pressure: 40PN



Cod.	0857/03	0857/04	0857/05	0857/06	0857/07	0857/08	0857/09
DN e pass. mm	3/8" (10)	1/2" (15)	3/4" (20)	1" (25)	1"1/4 (32)	1"1/2 (40)	2" (50)
L	48,5	55,5	66,5	78	91	102	119
B	44	46,5	61	64	79	85	106
F	8,5	10,5	12	13,5	15,5	15,5	19
F1	10,5	11	13	15	16	17	18
CH	20	25	31	38	47	54	66
CH1	17	22	27	34	42	48	60
A	87	87	100	100	130	130	155

### Application

The Airaga Ball Valve 25m x 25f is used in plumbing systems to control water flow rate or balancing and is installed mostly in plant rooms.

### Warranty

[Download the latest warranty statement](#)

### Features

- Body and sleeve: hot moulded from EN12165 CW617N bar, nickel plated
- Gland and stem: worked from EN12164 CW617N bar
- Ball: 3/8" turned from EN12164 CW617N bar, from 1/2" to 1" hot moulded from EN12165 CW617N bar, diamond and chrome plated
- Antifriction ring: worked from EN12164 CW617N bar
- Ball gaskets: P.T.F.E.
- Stem gasket: P.T.F.E.
- Butterfly handle: die cast or melted in alluminium alloy UNI 1706, sandblasted and coated with epoxidic paints
- Nut: UNI 5589-65 - galvanized steel
- Seal for threads: "Loctite" type anaerobic adhesive
- External treatment : brilliant nickel plated surface