

BVUF20FA

Airaga Union Angle Ball Valve 20f x 20f

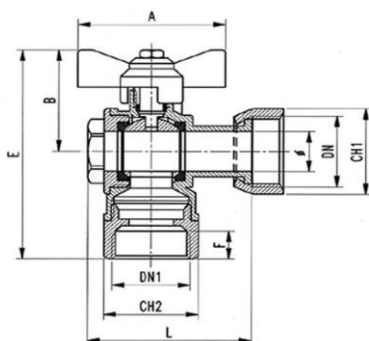


Technical Specification

Threaded connections: UNI ISO 228/1 threads

Working temperature: service limit from -20°C to +120°C

Maximum working pressure: 20PN



Cod.	0320/04-R	0320/05-R
DN x DN1 e pass. mm	3/4"B x 1/2"F (15)	3/4"B x 3/4"F (15)
L	55,5	55,5
E	80	78,5
B	38	38
F	13,5	10,5
CH1	32	32
CH2	24	30
A	50	50

Warranty

[Download the latest warranty statement](#)

Features

Body and sleeve: hot moulded from EN12165 CW617N bar, nickel plated

Gland and stem: worked from EN12164 CW617N bar

Ball: hot moulded from EN12165 CW617N bar, diamond and chrome plated

Stem stopping ring: worked from EN12164 CW617N bar

Ball gaskets: P.T.F.E.

Stem gasket: P.T.F.E.

Butterfly handle: die cast or melted in alluminium alloy UNI 1706, sandblasted and coated with epoxidic paints

Plug: hot moulded from EN12165 CW617N bar, nickel plated

Swivel nut: worked from EN12164 CW612N bar, nickel plated

Screw: UNI 5739 - galvanized steel

Seal for threads: "Loctite" type anaerobic adhesive

External treatment: brilliant nickel plated surface