

PRV6-40

Caleffi 536 Series Pressure Reducing Valve 40mm



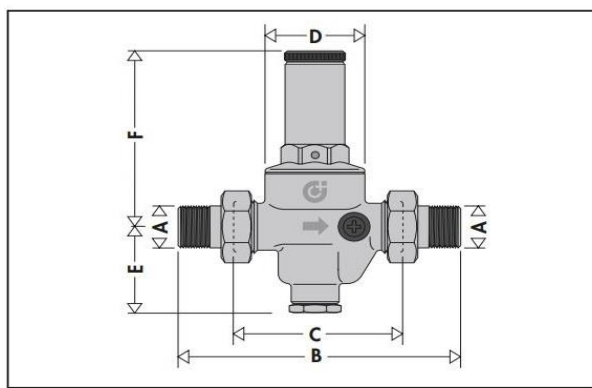
Technical Specification

Materials:

- Body: brass EN 1982 CB753S
- Cover: brass EN 12165 CW617N
- Membrane: NBR
- Seal: NBR
- Seat and filter: stainless steel

Performance:

- Max pressure upstream: 25 bar
- Downstream pressure setting range: 0.5–6 bar
- Factory setting: 3 bar
- Max working temperature: 80°C
- Pressure gauge scale: 0–10 bar downstream
- Medium: water
- Certification: EN1567
- Connections: - 1&1/2" M DN male unions
- Pressure gauge connections: 1/4" F



| Code     | A      | B   | C   | D    | E  | F   |
|----------|--------|-----|-----|------|----|-----|
| 536080/1 | 1 1/2" | 220 | 120 | Ø 72 | 63 | 126 |

Application

The Caleffi 536 Series Pressure Reducing Valve 40mm is used in plumbing systems to control water pressure and is installed mostly in plant rooms.

Warranty

[Download the latest warranty statement](#)

Features

Pressure reducers are devices which, when installed on a water system, reduce and stabilise the pressure entering from the mains.

This incoming pressure is generally too high and variable to be applied directly to domestic systems.

A basic characteristic of a good pressure reducer is that it makes it possible to maintain constant downstream pressure when the upstream pressure varies.