

PRV6-50

Caleffi 536 Series Pressure Reducing Valve 50mm



Technical Specification

Materials:

Body: brass bronze DIN 50930-6 RG5 PB3

Cover: brass EN 1982 CB753S

Membrane: NBR

Seal: NBR

Seat and filter: stainless steel

Performance:

Max pressure upstream: 25 bar

Downstream pressure setting range: 0.5–6 bar

Factory setting: 3 bar

Max working temperature: 80°C

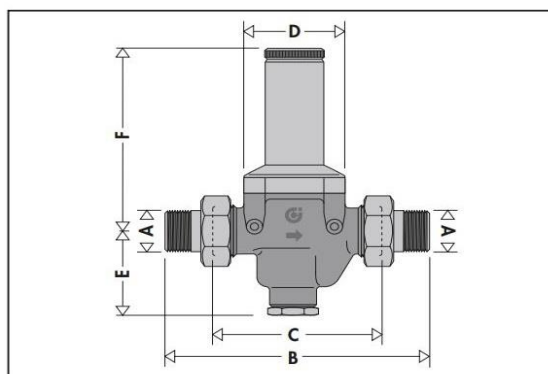
Pressure gauge scale: 0–25 bar upstream, 0–10 bar downstream

Medium: water

Certification: EN1567

Connections: - 2" M DN male unions

Pressure gauge connections: Two 1/4" F



Code	A	B	C	D	E	F
536590/1	2"	280	160	110	94	204

Application

The Caleffi 536 Series Pressure Reducing Valve 50mm is used in plumbing systems to control water pressure and is installed mostly in plant rooms.

Warranty

[Download the latest warranty statement](#)

Features

Pressure reducers are devices which, when installed on a water system, reduce and stabilise the pressure entering from the mains.

This incoming pressure is generally too high and variable to be applied directly to domestic systems.

A basic characteristic of a good pressure reducer is that it makes it possible to maintain constant downstream pressure when the upstream pressure varies.