

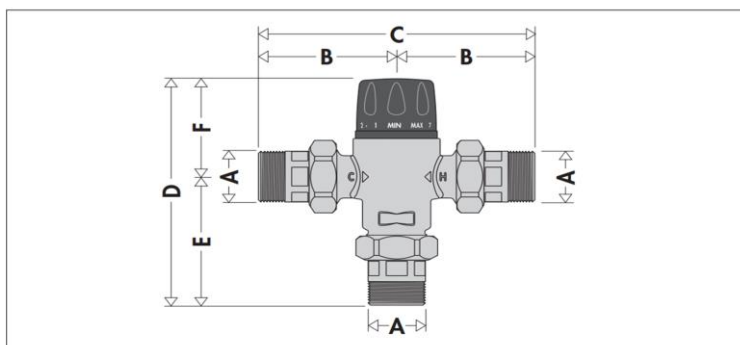
TV523150

Caleffi 5231 20mm Heavy Duty Tempering Valve



### Technical Specification

- Body: dezincification resistant alloy: EN 12165 CW724R
- Obturator: PSU
- Springs: stainless steel (AISI 302)
- Seal elements: EPDM
- Adjustment range: 35–65°C
- Accuracy: +/- 2°C
- Kv = 92L/min
- Recommended working pressure 100 - 500kPa (balanced)
- Maximum working pressure (static): 14 bar
- Maximum working pressure (dynamic): 5 bar
- Minimum working pressure (dynamic): 0.2 bar
- Maximum inlet pressure ratio (H/C or C/H): 2:1
- Maximum hot water inlet temperature: 90°C
- Minimum hot water inlet temperature: 50°C
- Maximum cold water inlet temperature: 25°C
- Minimum cold water inlet temperature: 5°C
- Minimum temperature differential: 15°C



Code	DN	A	B	C	D	E	F	Mass kg)
5231.50	20	3/4"	78,5	157	169	95,5	73,5	1,35

### Application

The Caleffi 5231 20mm Heavy Duty Tempering Valve is used in plumbing systems to control water temperature and is installed mostly to feed a bathroom.

### Warranty

[Download the latest warranty statement](#)

### Features

- Heavy duty 5231 series thermostatic tempering valve with 20mm unions
- For use on high demand hot water systems with a flow rate between 13 and 112L/min
- Union connections with fibre washer seal (without check valves)
- Body in dezincification resistant brass
- Note: A minimum 20kPa dynamic system pressure is required for correct valve function excluding any system losses in pipework etc.