

# BVGUF15MA15

Airaga Gas Union Angle Ball Valve 15f x 15m



## Technical Specification

Body and sleeve: hot moulded from EN12165 CW617N bar, nickel plated.

Stem: worked from EN12164 CW617N bar.

Ball: turned from EN12164 CW617N bar, diamond and chrome plated.

Ball gaskets: P. T. F. E.

Stem gaskets: O-Rings NBR.

Operating lever: die cast or melted in alluminium alloy UNI EN 1706, sand blasted and coated with epoxidic paints.

Swivel nut: worked from EN12164 CW612N bar.

Nut: UNI 5739-65 -galvanized steel.

Threaded connections: UNI ISO 228/1 threads.

Seal for threads: "Loctite" type anaerobic adhesive.

External treatment: Nickel plated surface.

Working temperature: service limit from -20°C to +60°C.

Maximum Operating Pressure (MOP): 5 bar (0,5 Mpa).



## Application

The Airaga Gas Union Angle Ball Valve 15f x 15m is used in plumbing, heating & cooling systems to control water flow rate or balancing and is installed mostly in plant rooms.

## Warranty

[Download the latest warranty statement](#)

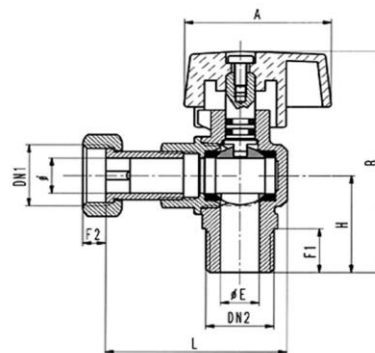
## Features

Ball valve for gas meter

Female swivel union/male angle fittings

15mm female union/15mm male angle

Yellow butterfly handle



Cod.	23000/04
DN1 x DN2 e PASS. mm	1/2" x 1/2" (12)
A	45
L	55,5
ØE	12
F1	15
F2	7
B	75,5
H	33