

BVGUF20M

Airaga Gas Union Ball Valve 20f x 20m



Technical Specification

Body and sleeve: hot moulded from EN12165 CW617N bar, nickel plated.

Stem: worked from EN12164 CW617N bar.

Ball: turned from EN12164 CW617N bar, diamond and chrome plated.

Ball gaskets: P. T. F. E.

Stem gaskets: O-Rings NBR.

Operating lever: die cast or melted in alluminium alloy UNI EN 1706, sand blasted and coated with epoxidic paints.

Swivel nut: worked from EN12164 CW612N bar.

Nut: UNI 5739-65 -galvanized steel.

Threaded connections: UNI ISO 228/1 threads.

Seal for threads: "Loctite" type anaerobic adhesive.

External treatment: Nickel plated surface.

Working temperature: service limit from -20°C to +60°C.

Maximum Operating Pressure (MOP): 5 bar (0,5 Mpa).



Application

The Airaga Gas Union Ball Valve 20f x 20m is used in plumbing, heating & cooling systems to control water flow rate or balancing and is installed mostly in plant rooms.

Warranty

[Download the latest warranty statement](#)

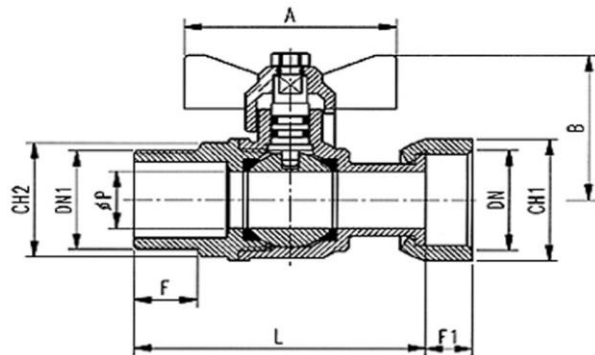
Features

Ball valve for gas meter

Male/Female swivel union fittings

20mm female union/20mm male

Yellow butterfly handle



Cod.	0195AG0504	0195AG0505	0195AG0605	0195AG0606
DN x DN1 e PASS. mm	3/4" B x 1/2" (15)	3/4" B x 3/4" (15)	1" B x 3/4" (20)	1" B x 1" (20)
L	60	69	73,5	76
B	38	38	49,5	49,5
F	13,5	10,5	13	15,5
F1	10,5	10,5	9	9
CH1	32	32	37	37
CH2	24	30	27	34
A	50	50	50	50