

# BVUF15MB

Airaga Union Ball Valve 15f x 15m Blue Handle

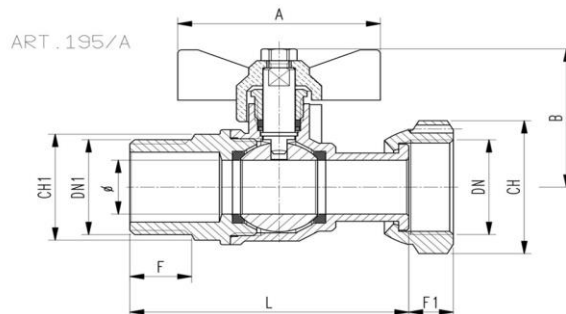


## Technical Specification

Threaded connections: UNI ISO 228/1 (DIN 259) threads

Working temperature: service limit from -10°C to +120°C

Maximum working pressure: 20PN



Cod.	0195/A04-R	0195/A05-R	0195/A06-R	0195A060501NF	0195A060601NF
DN x DN1 e PASS. mm	3/4"B x 1/2"M (15)	3/4"B x 3/4"M (15)	3/4"B x 1"M (20)	1"B x 3/4"M (20)	1"B x 1"M (20)
L	65,5	69	69	72	76,5
B	38,5	38,5	38,5	52	52
F	11	15	14	13	15,5
F1	9,5	9,5	9,5	9,5	9,5
CH	32	32	32	37	37
CH1	22	27	34	27	34
A	50	50	50	50	50

## Warranty

[Download the latest warranty statement](#)

## Features

Blue butterfly handle

Body and sleeve: hot moulded from EN12165 CW617N bar, nickel plated

Gland and stem: worked from EN12164 CW617N bar

Ball: moulded or turned from EN12165 CW617N bar, diamond and chrome plated

Stem-stopping ring: worked from EN12164 CW617N bar

Ball gaskets: P. T. F. E.

Stem gasket: P. T. F. E.

Butterfly handle: die cast or melted in alluminium alloy UNI EN 1706, sandblasted and coated with epoxidic paints

Nut: hot worked from EN12164 CW612N bar, nickel plated

Screw: UNI 5739 - galvanized steel

Seal for threads: "Loctite" type anaerobic adhesive

External treatment: brilliant nickel plated surface