

HS545346

Caleffi Dirtmag Magnetic Filter 25mm

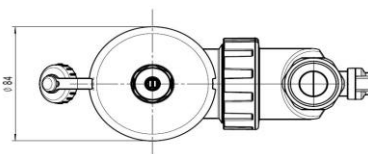
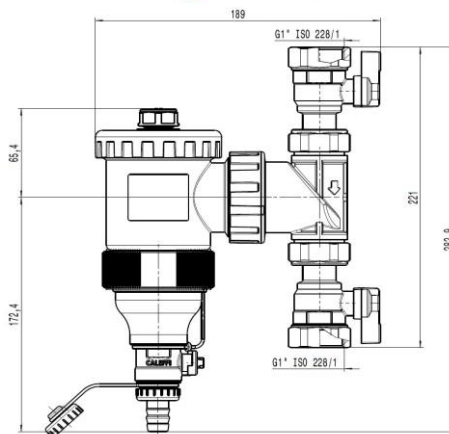


Technical Specification

- Body: PA66G30
- Dirt separator cover: PA66G30
- Top plug: brass EN 12164 CW614N
- Purge screw: brass EN 12164 CW614N
- Locking nut for tee fitting: PPSG40
- Tee fitting: PA66G30
- Internal element: HDPE
- Hydraulic seals: EPDM
- Drain cock with hose connection: brass EN 12165 CW617N
- Shut-off valve: EN 12165 CW617N

Performance:

- Maximin flow rate: 1.3m³/h
- Medium: water, glycol solutions
- Max. percentage of glycol: 30%
- Max. working pressure: 3bar
- Working temperature range: 0–90°C
- Ring system magnetic induction: 2 x 0,3 T



Application

The Caleffi Dirtmag Magnetic Filter 25mm is used in heating & cooling systems to clean, sterilize or treat water and is installed mostly in plant rooms.

Warranty

[Download the latest warranty statement](#)

Features

The dirt separator separates the impurities, which are mainly made up of sand and rust particles, circulating within the closed circuit systems, with very low head losses.

The impurities are collected in a large decantation chamber, that requires low frequency cleaning procedures, from which they can be removed even while the system is in operation.

The DIRTMAG® dirt separators are also equipped with a removable magnetic ring for separating ferrous impurities. Made using a composite material specifically designed for use in air-conditioning & heating systems, this dirt separator is especially versatile as it can be installed on both horizontal and vertical pipes.